

Lubrication Tools and Equipment



People, Capabilities and Systems to Save Money and Increase Productivity



Industry Leader

Continually satisfying our customers with the world's best lubrication equipment and pumping systems has made Lincoln the largest and most successful company in our field. For more than 90 years, companies have relied on our technical and quality leadership; our world-class manufacturing and customer service, and our vast network of distributors and support facilities.



Research and Development

In order to provide the best worldwide and regional application solutions, Lincoln develops new products and systems at research and development facilities in the United States, Germany and India.



Providing Solutions

Industrial customers in large processing plants, automotive manufacturing, pulp and paper mills, food and beverage and other manufacturing facilities can depend on solutions from Lincoln. For the toughest mobile applications, on the road or in the field, Lincoln protects heavy equipment used in mining, construction, agriculture and over-the-road trucking. In addition, Lincoln offers the best lubrication equipment to meet the needs of automotive service professionals.



Complete Product Line

Lincoln supplies automated lubrication systems, pumps and pump stations and top quality lubrication equipment and accessories. Our quality systems in the United States and Germany are ISO 9001 registered and our fittings business is QS 9000 registered.



Worldwide Support

With five technical support centers on three continents, and a network of distributors supported by regional sales and service offices, our customers can always draw on our worldwide resources.

Cordless rechargeable grease gun—lubricates anything, anytime, anywhere.

The Lincoln PowerLuber 12V Cordless Rechargeable Grease Gun is the most advanced grease gun ever created. Its powerful 12 volt motor delivers a consistent grease flow at up to 6000 psi with a rechargeable power pack for unrestricted mobility.

PowerLuber's balanced design makes lubing hard-to-reach fittings routine. And when you've got a lot of fittings to hit, the rechargeable removable 12 volt battery provides long-lasting performance. Three-way loading makes refilling a snap.



PowerLuber Features

- Powerful 12 volt motor
- Planetary gear drive
- High-capacity 12 volt NiCad battery
- Machined and hardened piston
- Plated steel barrel with exclusive flip-over follower for convenient three-way loading
- 2" needle bearing final drive
- Locking follower rod
- Accessible check drive
- Bleeder valve
- Outlet opening 7/16" UNEF
- Threaded outlet (1/8" NPT) for filler nipple (not included)
- New pressure relief valve identifies blocked fittings
- CE approved

Model 1242

The standard PowerLuber 1242 comes outfitted with a heavy-duty carrying case. Comes complete with:

- 110 volt fast charger (model 1210)
- 12 volt NiCad rechargeable battery (model 1201)
- 30" flex hose with spring guard (model 1230)
- Custom carrying case designed to hold two rechargeable batteries and two grease cartridges (*grease not included*)
- Patent pending



1242

Model 1244

Top of the line. Includes second 12 volt rechargeable battery 1201 for uninterrupted lube application.

Model 1240

Economy packed without carrying case. Includes one 12 volt rechargeable battery 1201 and battery charger 1210.

Model 1200

PowerLuber and battery only.



1201



1210

PowerLuber Accessories

Batteries

12 volt NiCad rechargeable battery (Model 1201) easily snaps in for use with the PowerLuber 1242 Grease Gun. Dispenses a minimum of three grease cartridges under normal conditions. 1300 mA-h capacity. Also Model 1203 for 7.2V PowerLuber and Model 1227 for 3.6V MiniLuber.

Whip Hoses

Attach to PowerLuber with 7/16" UNEF fitting, 1/8" NPT(m) outlet. Working pressure 7500 psi (517 bar). Model 1218 (18"), 1224 (24"), 1230 (30") and 1236 (36").

Model 1210

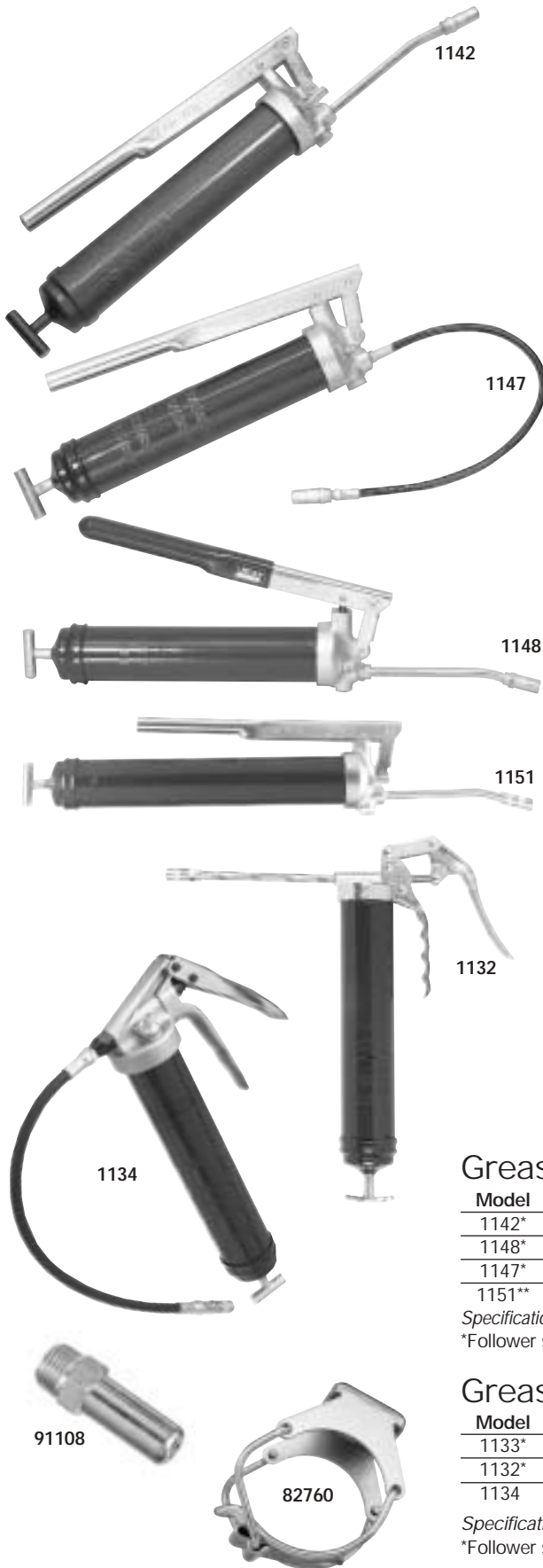
110 volt one-hour fast charger for use with battery pack 1201. Automatic trickle charge maintaining mode ensures your PowerLuber will be ready when you are. 6 ft. cord; UL/ULC listed.

Model 1215

12 volt to 12 volt DC field charger for use with battery pack 1201 (plugs into cigarette lighter).



1215



Heavy-Duty Lever Type

Model 1142

First choice of users everywhere.

Model 1148

Same as 1142, with handle grip and vent valve for purging air from gun. Two-way filling, suction and cartridge. Variable stroke/variable pressure: short stroke–high pressure; long stroke– high volume.

Model 1147

Same as 1142 with 18" whip hose and coupler; flip-over follower set for cartridge use.

Model 1151

Same as 1142 but holds 21 ounces bulk; flip-over follower set for bulk loading.

Heavy-Duty Pistol Grip Type

Model 1132

Fast, one-hand operation with similar features and benefits of Lincoln lever type grease guns. Includes 5" extension with coupler.

Model 1133

Same as 1132 with 18" whip hose and coupler.

Model 1134

Extra heavy duty pistol grip grease gun. Cast head design. Jam proof handle return mechanism. Develops up to 7500 psi. Includes both 18" whip hose with coupler and 4" rigid tube.

Model 91108 Filler Nipple

Enables hand guns to be loaded using filler pump method. Includes ball check; 1/8" NPT(m).

Model 82760 Grease Gun Holder

Can be mounted to almost any surface. Holds grease guns and suction guns with 2 1/4" OD barrel. Holds guns until ready to use.

Grease Guns Lever Type

Model	Lube Capacity	Extension	Length
1142*	16oz. Bulk/14.5oz. Cartridge	5853	21 3/4"
1148*	16oz. Bulk/14.5oz. Cartridge	5853	21 3/4"
1147*	16oz. Bulk/14.5oz. Cartridge	71518 18" Hose & 5852 coupler	21 3/4"
1151**	21oz. Bulk/14.5oz. Cartridge	5853	24 1/2"

Specifications: Output 1oz. per 33 strokes using No. 1 grease at 70°F. Barrel diameter 2 1/4"

*Follower set for cartridge use. **Follower set for bulk loading.

Grease Guns Pistol Grip

Model	Lube Capacity	Extension	Length
1133*	16oz. Bulk/14.5oz. Cartridge	71518 18" Flex Hose & 5852 coupler	15 1/2"
1132*	16oz. Bulk/14.5oz. Cartridge	67020 6" Straight Pipe & 5852 coupler	15 1/2"
1134	16oz. Bulk/14.5oz. Cartridge	18" Flex Hose, 4" Straight Pipe & Coupler	15 1/2"

Specifications: Output 1oz. per 33 strokes using No. 1 grease at 70°F. Barrel diameter 2 1/4"

*Follower set for cartridge use.



1163

Air Operated

Model 1163 PowerLuber

Fully automatic grease gun. New motor design provides outstanding durability and excellent grease flow.

- Full automatic operation—cycles continuously when trigger is pulled, self-priming
- Low operational noise
- CE certified, patent pending
- Flip-over follower eliminates grease bypass
- Heavy-duty spring for prime retention
- Locking follower rod for easy loading
- 40:1 air motor capable of 6000 psi. Air operating range 40-150 psi
- Three-way loading with optional 91108 filler nipple
- 6000 psi maximum pressure; outlet opening 7/16" UNEF



1013

Dual Pressure

Model 1013 and 1145

- High or low pressure for light or heavy-duty greasing action
- Full pressure on short strokes for heavy greasing in tight places; develops full pressure with just 1/4" stroke
- Extension swivels 360° for hard-to-reach fittings.
- Plated barrel, head and handle
- Handy three-way loading: cartridge, filler pump or bulk
- Grease resistant rubber handle grip for positive pumping action



1145

Precision High Pressure and Volume

Model 1035 & 1037

- Exclusive toggle mechanism design uses compound leverage for high-pressure pumping with little effort
- Rust resistant plated gun barrel and handle, black enamel head.
- Equipped with filler nipple for fast refill from Lincoln filler pump
- 21 oz. bulk capacity for heavy-duty greasing applications



1035

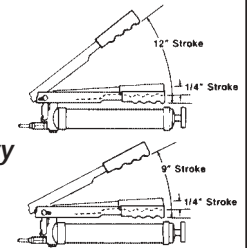


Load Pin in Rear Position for High Output Delivery

With handle in REAR (lo) shift position, grease is delivered at low pressure (maximum 6000 psi) with strokes from 1/4" to 12". Output 1 ounce per 18 full strokes.

Load Pin in Front Position for High-Pressure Delivery

With handle in FRONT (hi) shift position, grease is delivered at high pressure (maximum 7000 psi) with strokes from 1/4" to 9". Output 1 ounce per 33 full strokes.



Dual Pressure

Model	Lube Capacity	Extension	Length	Max. Pressure
1013	16oz. Bulk/14.5oz. Cartridge	5853	22 7/8"	7000/6000 psi
1145	21oz. Bulk/14.5oz. Cartridge	5853	25 1/4"	7000/6000 psi

Specifications: Output at **low pressure** 1oz. per 18 strokes; at **high pressure** 1 oz. per 33 strokes using No. 1 cup grease at 70°F. Barrel diameter 2 1/4".

High Pressure

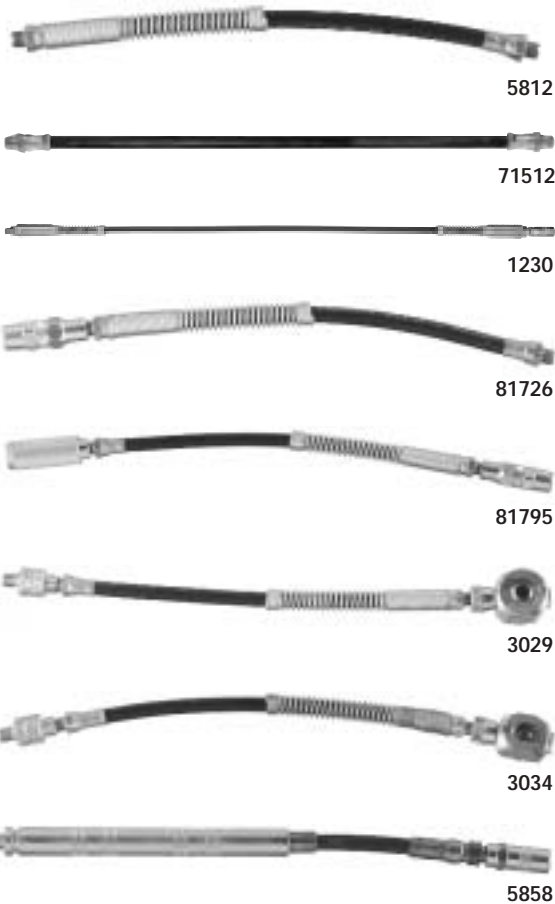
Model	Lube Capacity	Extension	Length	Max. Pressure
1035	21oz. bulk/14.5oz. cartridge	5834	27 1/4"	7000 psi

Specifications: Lubricant output 1 oz. per 25 strokes using No. 1 cup grease at 70°F. Barrel diameter 2 1/4".

Volume

Model	Lube Capacity	Extension	Length	Max. Pressure
1037	21oz. bulk/14.5oz. cartridge	5834	27 1/4"	3000 psi

Specifications: Lubricant output 1 oz. per 9 strokes using No. 1 cup grease at 70°F. Barrel diameter 2 1/4".



Extensions for Manually or Air-Operated Grease Guns
Maximum working pressure 4500 psi. Strategically placed coil spring provides non-slip, push-pull grip and prevents accidental “kinking” which could cause hose ruptures.

Model	Length	Thread Size
5812	12"	1/8" NPT(m)
5818	18"	1/8" NPT(m)
5861	36"	1/8" NPT(m)

Extensions for Manually Operated Grease Guns
Maximum working pressure 3000 psi.

Manually Operated—Packaged

Model	Length	Thread Size
71512	12"	1/8" NPT(m)
71518	18"	1/8" NPT(m)

Manually Operated—Bulk (Unpackaged)

Model	Length	Thread Size
75912CL	12"	1/8" NPT(m)
75918CL	18"	1/8" NPT(m)
75924CL	24"	1/8" NPT(m)

PowerLuber® Whip Hoses

Attaches with 7/16" UNEF fitting; 1/8" NPT(m) outlet. Working pressure 7500 psi (517 bar). For use with 12 volt, 7.2 volt and Model 1163 PowerLubers.

Model	Length
1218	18"
1224	24"
1230	30"
1236	36"

Assemblies for Standard Hydraulic Fittings

Maximum working pressure 4500 psi.

Model	Whip Hose	Coupler	Thread Size
81725	5818/18"	5845	1/8" NPT(m)
81726	5812/12"	5845	1/8" NPT(m)
81795*	5812/12"	5845	1/8" NPT(m)

* Includes 81980 locking sleeve.

Assemblies for Button Head Couplers with Swivel

Maximum working pressure 4000 psi. Includes 81606 swivel.

Model	Whip Hose	Coupler	Thread Size
3029	5812/12"	80933/large	1/8" NPT(m)
3034	5812/12"	81458/standard	1/8" NPT(m)

Flexible & Rigid Extension Adapter

Model 5858

Maximum working pressure 5000 psi. Allows operator to switch from flexible to rigid extension with one hand. Overall length 13". 1/8" NPT(m).

WARNING

Whip Hoses Models 3029, 3034, 5812, 5818, 5861, 81725, 81726, 81795

Install as shown



Hydraulic Couplers

Model 5852

- 7500 psi maximum operating pressure.
- For all hydraulic type grease fittings.
- Small outside diameter permits easy contact with recessed fittings.
- Replaceable hardened steel jaws.
- Built-in ball check prevents leak and lubricant backup.
- Inlet 1/8" NPT(f).



Hydraulic Coupler Displays

Hydraulic Coupler Displays

Model 5852

One hydraulic coupler in a resealable clamshell.

Model 5852-2

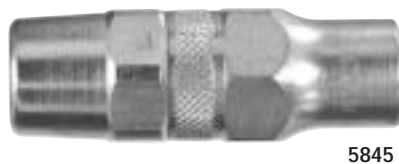
Two hydraulic couplers in the same clamshell as the 5852.

Model 5852-5

Contains five couplers; reduces cost per unit.

Model 5852-54

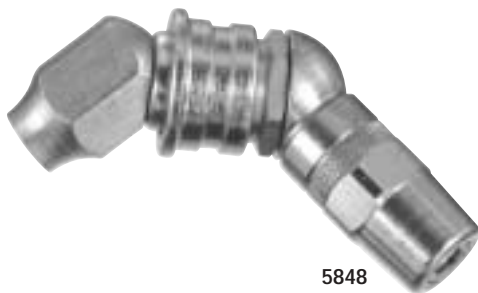
Contains 54 couplers in a displayable box; best value.



5845

Model 5845 Heavy-Duty

- 7500 psi maximum operating pressure.
- Same as 5852 except 1/8" outside diameter.



5848

Model 5848 Adapter

- 7500 psi maximum operating pressure.
- Built-in swivel allows full 360° circle.
- Locks in any one of eight 45° positions.
- Adjustable coupler section permits contact with fittings in reverse positions.
- Angle body has 1/8" NPT(f) inlet permits addition of pipe extension when required.

WARNING

MATERIAL USE: Lincoln swivels are to be used only to transport grease, oil and other lubricants and are designed only for these non-abrasive and non-corrosive purposes. Do not use with abrasive and corrosive materials such as sound-deadening materials which may contain limestone and mica particles. Transport of such materials causes rapid premature wear to critical swivel components and can cause failure of swivel. Failure could expose the user to severe bodily injury, permanent disfigurement or death.

INSTALLATION & SERVICE: Tighten all fluid connections securely before using swivel. Never exceed 5000 psi maximum operating pressure. Never alter or modify any part of the swivel. Never attempt to repair or disassemble the swivel while the system is pressurized. Never stop or deflect leaks with hand or body.

MEDICAL ATTENTION: Get medical attention immediately if exposed to high pressure fluids. Tell the attending physician what was injected.

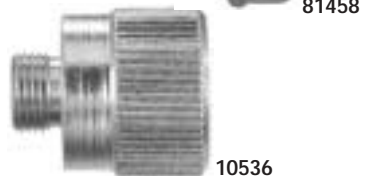


80933

Button Head Couplers & Adapters

Model 80933

4000 psi maximum operating pressure. For pull-on, push-on or hook-on service. Use with large 7/8" diameter button head fittings. 7/16"-27(f) thread.



81458

Model 81458

Same as 80933 except for 5/8" diameter button head fittings.



10536

Model 10460

5000 psi maximum operating pressure. For adapting standard or large button head couplers to hose with 1/8" NPT connections. 1/8" NPT(f) x 7/16"-27 (m) thread. Use gasket 31138, not included.



5834

Model 10536

4500 psi maximum operating pressure. For adapting standard or large button head couplers to hose with 3/8" NPT connections. 3/8" NPT(f) x 7/16"-27 (m) thread. Use gasket 31138, not included.



5853

Coupler Extensions



62028

Model 5859

7500 psi maximum operating pressure. Includes 5845 coupler and 62028 6" extension tube. 1/8" NPT(m) connection.



5859

Model 5853

6000 psi maximum operating pressure. Includes 5852 hydraulic coupler and 62028 6" extension tube. 1/8" NPT(m) connection.



5855

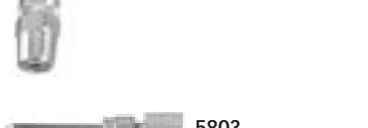
Rigid Extensions



81980

Model 62028

6" length. 800 psi Maximum operating pressure. Tough, heavy-wall seamless steel tubing. 1/8" NPT(m) at each end.



5849

Model 62061

Same as 62028 except 12" length.



5803

Model 62117

Same as 62028 except 18" length.



82784



83278

Extensions Adapters

Model 5859 Angle

- 90° angle solves problem of contacting so-called "inaccessible" grease fittings.
- Design eliminates need to remove from "deep dish" wheels for lubrication of the tie rod ends and ball joints.
- Use to service cars, truck, machines and farm equipment.

Model 5855 Recessed

Straight extension. Use to lubricate recessed fittings where obstructions will not permit use of hydraulic coupler. Includes extension nozzle and locking sleeve.

Model 81980 Locking Sleeve

For adapting any 1/8" NPT(m) extension nozzle to a hydraulic coupler.

Model 5849 360 Degree

7500 psi maximum operating pressure. Includes 5848 360° coupler for full swivel, 2" steel extension tube and locking sleeve.

Needle Nozzles

Model 5803

Allows operator to contact flush type or hard-to-reach hydraulic type fittings.

Model 5806

Same as 5803 except 6" length.

Model 82784

Same as 5803 except with extension and locking sleeve.

Model 83278

Use to lubricate U-joints and spindles. Attaches to hydraulic coupler of control valve or grease gun. Includes rubber tip.

WARNING

Never point needle nozzles, adapters or coupler at any part of the body or another person.



Packaged Fittings—U.S. Threads

All the most popular fittings and sizes
Model 5468 Mini

Ten assorted grease fittings in three popular sizes, blister packed on one card.

Assortment Contents

Quantity	Description
6	1/4"-28 straight
2	1/4"-28 45°
2	1/4"-28 90°



5184

Packaged Fittings—Metric Threads

All the most popular fittings and sizes
Model 5184 Mini

An assortment of three of the most used 6mm sizes and configurations blister packed on one card.

Assortment Contents

Quantity	Description
6	6mm straight
2	6mm 45°
2	6mm 90°

5470

Model 5470 Economy

24 assorted grease fittings in six popular sizes blister packed on one card.

Assortment Contents

Quantity	Description
6	1/8" NPT straight
6	1/4"-28 straight, short thread
3	1/8" NPT 45° angle
3	1/4"-28 45° angle, short thread
3	1/8" NPT 90° angle
3	1/4"-28 90° angle, short thread



5470

Model 5185 Economy

30 grease fittings in three of the most popular 6mm metric sizes blister packed on one convenient card.

Assortment Contents

Quantity	Description
16	6mm straight
6	6mm 45°
8	6mm 90°



5469

Model 5469 Deluxe

100 assorted grease fittings in six popular sizes. Sturdy, easy to handle transparent dispenser box has labeled and illustrated compartments.

Assortment Contents

Quantity	Description
20	1/8" NPT straight
40	1/4"-28 straight, short thread
10	1/4"-28 45° angle, short thread
10	1/8" NPT 65° angle
10	1/8" NPT 90° angle
10	1/4"-28 90° angle, short thread

Model 5186 Deluxe

100 assorted grease fittings in all the most popular metric sizes. Sturdy, easy to handle dispenser box has labeled and illustrated compartments.

Assortment Contents

Quantity	Description
40	6mm straight
20	6mm 45°
10	6mm 90°
5	8mm straight
5	8mm 45°
5	8mm 90°
5	10mm straight
5	10mm 45°
5	10mm 90°



5191

1/4"-28 Taper Thread Packs

Short Thread Grease

Model	Description
5191	Card of (10) straight fittings
5291	Card of (10) 45° angle fittings
5491	Card of (10) 90° angle fittings



5290

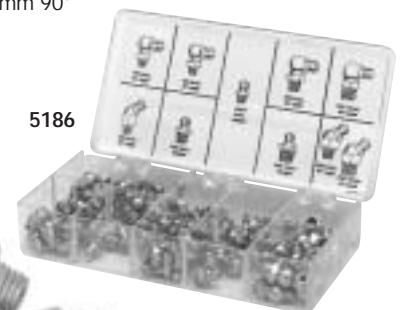
5291

1/8" Pipe Thread Packs Grease Fittings

Model	Description
5190	Card of (10) straight fittings
5290	Card of (10) 45° angle fittings
5490	Card of (10) 90° angle fittings



5490



5186

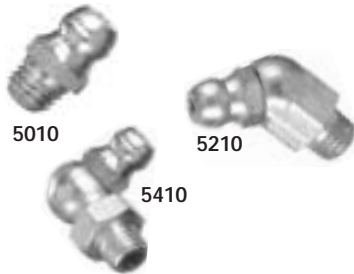


5184



1/8" NPT

100 Pc. Box No.	Bulk No.	Description	Length
5000C	5000	Straight	21/32"
5003C	5003	Straight	1 1/4"
5200C	5200	45° angle	7/8"
5300C	5300	65° angle	29/32"
5400C	5400	90° angle	27/32"



1/4" NPT

100 Pc. Box No.	Bulk No.	Description	Length
5050C	5050	Straight 1/4" NPT	15/16"
5350C	5350	65° angle 1/4" NPT	15/32"

1/4"-28 SAE

100 Pc. Box No.	Bulk No.	Description	Length
5010C	5010	Straight-short thread	1/2"
5013C	5013	Straight-long thread	1 1/16"
5527C	5527	Straight-short thread	31/64"
5210C	5210	45° angle-short thread	7/8"
5410C	5410	90° angle-short thread	25/32"

Metric

100 Pc. Box No.	Bulk No.	Description	Length
5175C	5175	Straight	6mm
5176C	5176	45°	6mm
5177C	5177	90°	6mm
5178C	5178	Straight	8mm
5179C	5179	45°	8mm
5180C	5180	90°	8mm
5181C	5181	Straight	10mm
5182C	5182	45°	10mm
5183C	5183	90°	10mm



Button Head

100 Pc. Box No.	Bulk No.	Description	Length
5701C	5701	1/8" NPT(m) thread	25/32"
5706C	5706	1/4" NPT(m) thread	53/64"



Drive Type

100 Pc. Box No.	Bulk No.	Description	Length	Drive Dia.
5033C	5033	Straight	9/16"	3/16"
5385C	5385	65° angle	13/16"	3/16"
—	5318	65° angle	49/64"	1/4"
5031C	5031	Straight	37/64"	5/16"



IMPORTANT ORDERING INFORMATION

To order **BULK FITTINGS**: specify exact quantity desired. Product will arrive in one package containing that quantity.

To order **100 PC. BOXED FITTINGS**: specify exact quantity of boxes desired. Product will arrive in boxes containing 100 fittings each.

Metric Thread Adapters

Convert any 1/4"-28 thread grease fitting to metric thread.

Metric Thread Adapters

Model	Thread
103307E	6mm x 1/4"-28 (f)
103308E	8mm x 1/4"-28 (f)
103309E	10mm x 1/4"-28 (f)



Fitting Bushings & Angle Bodies

Bushings & Angle Bodies

Model	Description	Length
10461	Hex bushing	1/8" NPT(f) x 1/4" NPT(m)
10787	Face bushing	1/8" NPT(f) x 1/4" NPT(m)
20028	45° angle body	1/8" NPT(f) x 1/8" NPT(m)
20029	90° angle body	1/8" NPT(f) x 1/8" NPT(m)
20026	90° angle body	1/8"-28 (m) x 1/8" NPT(f)

Easy-Out Tools

A combination tool used to remove worn or broken fittings and to retap holes for installation of new fittings. Tool has socket wrenches for removing both straight and angle fittings. May also be used to remove old pin type fittings.

Model 66953

For tapping 1/4"-28 threads and removal of both 3/8" and 5/16" hex. straight or angle fittings.

Model 90776

For tapping 1/8" NPT threads and removal of 7/16" hex. straight or angle fittings.



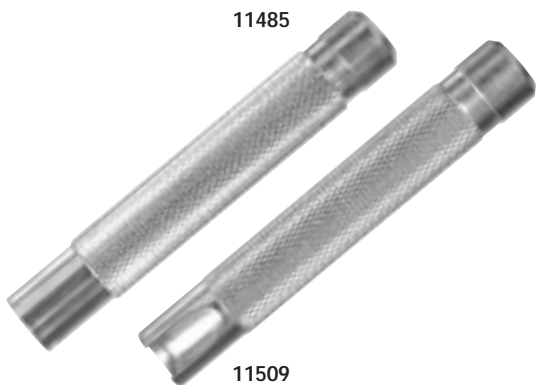
Fitting Drive Tools

Model 11485

Use to install straight Drive Type Fittings only.

Model 11509

Use to install angle Drive Type Fittings only.





224



816



102891



844



102697



102929

Lincoln Bearing Packers

Flush and pack in one operation eliminating inefficient washing and messy hand packing.

Model 224

Universal Bearing Packer forces out old grease while evenly injecting fresh grease. Pack bearing up to 4 1/2" I.D. Connects to standard grease coupler.

Model 816

Services bearings with 5/8" to 1 1/2" I.D. This versatile, compact unit mounts on work-bench or wall. Bearing is flushed and packed by contacting fitting in packer head with power gun control valve or by high-pressure hand gun. Overall dimension: 4 1/2" high, 4" wide.

Model 102891

Bearing packer head only; for bench mounting or attachment to any Lincoln air operated economy, Series 20 or Series 40 grease pump. Services bearings 1 3/4" to 9 1/2" O.D. with minimum I.D. of 9/16". Accepts grease through fitting from high pressure control valve or hand gun. For bench mount use 1/2" pipe flange.

Model 844

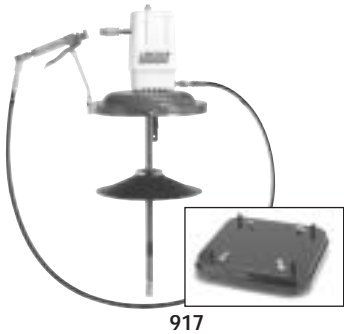
Services bearings to 9 1/2" O.D. with minimum 9/16" I.D. Includes adapters to service bearings from 1" to 1 3/4" O.D. For use with 120 lb. original refinery container. Includes 84780 universal follower.
Specifications: Maximum pressure 800 psi. One ounce per stroke.
Finish: Drum cover in red enamel, pump head and handle in black.
Dimensions: Overall height 41 7/8" with standard 120 lb. drum.

Model 102697 Super Speed Packer

Services bearings with 5/8" to 1 1/2" I.D. with up to 3 1/4" O.D. on passenger cars, light trucks and farm vehicles. Clamps securely on 25 to 50 pound original refinery container. Primes easily and pumps efficiently when using heavy greases at low temperatures. Includes 91393 follower.
Specifications: 21" overall height, 2 1/4" wide.
Finish: Drum cover in red enamel.

Model 102929

Same as 102697 except has larger packer head to service bearing to 9 1/2" O.D. with minimum 9/16" I.D. Includes adapter to permit servicing smaller bearings of 1" to 1 3/4" O.D. Includes 91393 follower plate.



917

Series 20 & 40 • 50:1 • Air Operated • Double Acting

The following models contain Lincoln's high-pressure Series 20 grease pumps.

Model 917 120 lb. Drum

Will dispense 45 ounces or 80 cubic inches of NLGI 0-2 grease per minute at 150 psi. Assures positive prime at lowest temperature. Drum cover 46007 finished in Lincoln red; roll-a-round base 80895 base in black; air motor cover in white. Height 43¹/₈". Base 17" square. Drum not included.

Model 917-57 120 lb. Drum

Same as 917 without roll-a-round base.

Model 346P 120 lb. Drum

Same as 917 except with 674 hand truck which provides convenient transportation for unit. Hand truck has two semi-pneumatic disc wheels and screw-type clamp which locks unit to truck. Drum not included.



346P

Model 987 25-50 lb. Pail/60 lb. Bulk

For 25-30 lb. refinery containers or 60 lb. bulk. Gasket and air vent in lid assembly makes unit completely dust-proof, leak-proof and spill-proof. Ideal for use in all types of weather; container rust-proofed and finished in Lincoln red. Height 31³/₄"; inside diameter of container 12¹/₂".



987

Model 989 25-50 lb. Pail

Steel cover has three thumb screws to clamp securely to any original 25-50 lb. refinery container. Carrying handle provides easy portability. Follower plate assures positive prime at lowest temperatures. Cover rust-proofed and finished in Lincoln red. Bucket not included.



989

Heavy Duty Portable Grease Pump Assemblies

Model	Bare	Drum Cover	Base	Delivery Kit*	Follower Plate	Drum Size
917	82050	46007	80895	Included	84780	120 lb.
917-57	82050	46007	NA		84780	120 lb.
346P	82050	46007	674		84780	120 lb.
987	83513	90656	NA		not supplied**	25-50 lb.
989	82716	91499	NA		84775	25-50 lb.

*Delivery kits for all units include: 75084 high pressure hose, 11659 nipple, 740 control valve, 815 air coupler, 82399 straight swivel and 81387 universal swivel.

**Follower plate recommended to assure positive prime at lowest temperatures. Must be ordered separately.

NOTE: Free delivery 80 cu. in. per min.

Series 20 • 50:1 • Air Operated • Single Acting

These 50:1 ratio pumps use the performance proven design of the Series 20 air motor and a simplified pump tube to provide a lower cost alternative for dispensing grease at high pressure.

High pressure performance for the economy conscious buyer

Model 657 120 lb. Drum

Height 43¹/₈" with 120 lb. drum. Drum cover 46007 finished in Lincoln red; band dolly 84192 in black. Follower plate and drum not included. Optional follower plate is 84780.

Model 658 120 lb. Drum

Same as 657 without band dolly.

Model 266 120 lb. Drum

Same as 657 except with 674 hand truck which provides convenient transportation for unit. Hand truck has two semi-pneumatic disc wheels and screw-type clamp which locks unit to truck. Optional 84780 follower plate and drum not included.

Model 689 25-50 lb. Pail

Steel cover has three thumb screws to clamp securely to any original 25–50 lb. refinery container. Carrying handle provides easy portability. Cover rust-proofed and finished in Lincoln red. Follower plate and bucket not included. Optional follower plate is 84775.

Model 659 25-50 lb. Pail

Same as 689 with band-dolly base.

Portable Grease Pumps

Model	Bare	Drum Cover	Base	Delivery Kit*	Follower Plate**	Drum Size
266	282050	46007	674	Included	Must Be Ordered Separately	120 lb.
657	282050	46007	84192			120 lb.
658	282050	46007	none			120 lb.
659	282716	91499	84191			25-50 lb.
689	282716	91499	none			25-50 lb.

*Delivery kits for all units include: 10198 hose connector, 75084 high pressure hose, 11659 nipple, 740 control valve, 815 air coupler and 82399 straight swivel.

**Follower plate recommended to assure positive prime at lowest temperatures. Must be ordered separately.

NOTE: Free delivery 45 cu. in. per min.

Follower Plates

Model 84775

Deluxe universal follower for use with 25-50 lb. containers for 1", 1¹/₄", 1¹/₂" diameter pump tubes. All rubber unit ensures complete grease dispensing to the bottom of dented or plastic lined drums; wipes pail or drum clean. Metal cap holds insert firmly in place, ensuring seal and maintaining vacuum.

Model 84780

Same as 84775 except for use with 120 lb. containers for 1", 1¹/₄", 2¹/₈" diameter pump tubes. Used with Series 20 and 40 air operated grease pumps.



657



266



659



84775



918

50:1 • Double Acting • Air Operated

*Shop/Plant/Lube Truck Applications**

Model 918 120 lb. Drum

Equipped with 82050 bare pump assembly, 46007 drum cover, 815 air coupler, 11659 air nipple, 72036 3' air connecting hose, 75060 5' high pressure grease connecting hose, 84780 deluxe follower plate, 80202 volume elbow union. Height with drum is 39³/₈". Drum not included.

**Lube truck grease pumps: contact your Lincoln distributor.*

Model 83447 Pump Elevator Assembly

Pump elevator assembly lifts pump assembly clear of drum for easy, one person drum changes. Also helps prevent introduction of foreign material into grease during drum changes. Height with drum is 39³/₈", 67¹/₄" with elevator raised. Drum not included.

Model 926 400 lb. Drum

Equipped with 82054 bare pump assembly, 81523 drum cover, 815 air coupler, 11659 air nipple, 72036 3' air connecting hose, 75060 5' high pressure grease connecting hose and 80202 volume elbow union. Height with drum is 46". Drum not included.

NOTE: A deluxe follower plate 83366 is recommended for use with this pump (order separately).

Model 926-1 400 lb. Drum

Same as 926 except without 81523 drum cover.

Model 1418 120 lb. Drum

Equipped with 84667 bare pump assembly, 46007 drum cover, 815 air coupler, 11659 air nipple, 72036 3' air connecting hose, 75060 5' high pressure grease connecting hose, 84780 deluxe follower plate and 80202 volume elbow union. Height with 120 lb. drum is 41³/₈". Drum not included.

Model 1426 400 lb. Drum

Equipped with 84668 bare pump assembly, 81523 drum cover, 815 air coupler, 11659 air nipple, 72036 3' air connecting hose, 75060 5' high pressure grease connecting hose and 80202 volume elbow union. Height with 400 lb. drum is 48". Drum not included.

NOTE: A deluxe follower plate 83366 is recommended for use with this pump (order separately).

Model 1426-1 400 lb. Drum

Same as 1426 except without 81523 drum cover.



926



1418

Grease Pumps

Model	Description	Bare Pump	Free Delivery (per min.)	Ratio	Drum Size	Air Inlet NPT	Material Outlet NPT
918	Shop/garage	82050	80 cu. in.	50:1	120 lb.	1/4" (f)	1/4" (f)
926	Shop/garage	82054	80 cu. in.	50:1	400 lb.	1/4" (f)	1/4" (f)
1418	High volume shop	84667	90 cu. in.	50:1	120 lb.	1/4" (f)	1/4" (f)
1426	High volume shop	55	90 cu. in.	50:1	400 lb.	1/4" (f)	1/4" (f)



46007

Drum Covers
Model 46007

Drum cover for 120 lb. or 16 gallon open top refinery containers for all series 20, 25 and 40 pumps.



81523

Model 81523

Drum cover for 400 lb. or 55 gallon open top refinery containers for all series 20, 25 and 40 pumps.

Follower Plates

Recommended when pumping lubricants that will not seek their own level.



84191

Model 84775

Deluxe universal follower for use with 25-50 lb. containers for 1", 1 1/4", 1 1/2" diameter pump tubes. All rubber unit ensures complete grease dispensing to the bottom of dented or plastic lined drums; wipes pail or drum clean. Metal cap holds insert firmly in place, ensuring seal and maintaining vacuum.



84941

Model 84780

Same as 84775 except for use with 120 lb. containers for 1", 1 1/4", 2 1/8" diameter pump tubes. Used with Series 20 and 40 air operated grease pumps.



84377

Model 83366

Deluxe pressed steel follower plate for 400 lb. drums includes a seal in the hub to prevent channeling of grease past the pump tube.



80895

Drum Dollies

Model 84191 25-50 lb. Band Dolly

Band-type dolly for any original 25-50 lb. refinery containers; caster 66060.

Model 84192 120 lb. Band Dolly

Band-type dolly for use with 120 lb. refinery containers; caster 66060.

Model 84377 Drum Dolly

Use with any 400 lb. drum. ID 23 1/4", height 5 1/4", hard rubber wheels: 1" wide, 2 1/2" dia.



66060

Model 674 Hand Truck

All steel, rugged construction with 6" dia. wheels. Finished in Lincoln red. 41" high x 15" wide. For use with an 120 lb. or 16 gallon drum.

Model 80895 Roll-A-Round Base

Use with 120 lb. refinery containers. Four ball bearing swivel casters and screw clamps.



674



80202

Accessories

Model 66060 2 1/2" Caster

Standard equipment on Lincoln drum and band dollies.

Model 84941

Eye bolt kit for all series 20, 25 and 40 pumps, makes drum changing easy. Two part kit screws directly onto pump for lifting with pump elevator.

Model 80202 Volume Elbow

For use in stationary installations with high pressure Lubriguns. 1/4" NPT(m) inlet; 1/4" NPT(f) outlet.



83366



84775



PowerMaster Pump Features

- Gives years of dependable trouble-free operation.
- Costs much less to operate—costs much less to maintain.
- High volume output—air motor has extra long stroke for powerful, uniform delivery on both up and down strokes.
- Shovel type pump tube used to aid mechanical priming to normal suction when needed.
- Sturdy construction—plunger and bushing of sapphire-hard nitriding steel for longer life, greater wear resistance.
- Plunger, bushing and air valve mating parts are micro-lapped to close tolerances. Prevents by-passing of lubricant and bleeding of air. Eliminates need to replace washers and packings.
- Simplified maintenance. Modular design of pump tube allows for easy disassembly. Air motor piston and cylinder...no oiling required, minimum friction, no leather cups.

Accessories

Drum Covers

Model 81538

Standard 120 lb. drum cover for mounting PowerMaster II and III drum pumps to full open drums.

Model 81412

Standard 400 lb. drum cover for mounting PowerMaster II & III Series drum pumps on full open drums.

Follower Plates

Recommended when pumping lubricants that will not seek their own level.

Model 83369

For 400 lb. drums. Diameter 215/8".

Model 84780

For 120 lb. drums.

Air Motor Muffler

Model 66764

For use on pump stations that incorporate the PowerMaster II air motor. 3/4" NPT(m). Two required per air motor.

Series 1900 PowerMaster High Pressure Grease Pumps

Model	Ratio	Pump Tube Type	Air Motor	Diameter in. / mm	Pump Tube	Material Outlet	Output per cycle cu. in / cc	Approx. Cycles per gal / liter
1903	40:1	400 lb.	82730	4 1/4" / 108	82792	3/4" NPTF	2.8 / 46	83 / 22
1904	75:1	400 lb.	82730	4 1/4" / 108	82793	3/4" NPTF	1.6 / 26	149 / 39
1910	50:1	400 lb.	82730	4 1/4" / 108	83271	3/4" NPTF	2.3 / 38	101 / 26

Model	Gallons / Liters per Minute			Min. ID Air Supply Hose in. / mm	Air Consumption Per Cycle			
	30 CPM	50 CPM	70 CPM		SCFM@70 psi	M ³ /min.@5 bar	SCFM@100 psi	M ³ /min.@7 bar
1903	.4 / 1.4	.6 / 2.3	.8 / 3.2	1/2" / 12	.5	.014	.62	.017
1904	.2 / .8	.3 / 1.3	.5 / 1.8	1/2" / 12	.5	.014	.62	.017
1910	.3 / 1.1	.5 / 1.9	.7 / 2.6	1/2" / 12	.5	.014	.62	.017

*All PowerMaster pumps include 3/4" NPTF(m) x 1/2" NPTF(f) bushing in the material outlet.

Full range of Series II and Series III PowerMaster pumps available. See your Lincoln representative.

Manual Bucket Pumps

These quality-built Lincoln bucket pumps dispense high-pressure lubrication in any weather — even at 0°F. Select from pump units developing 2500 to 5000 psi for normal lubrication service or lubrication of trac-roll bearings.

Model 1292 Grease Pump

Unit clamps on any 25–50 lb. refinery container in 60 seconds.
Dimensions: 21 1/2" h. x 12 1/4" w. Tube size 1 1/4".

Model 1272

Large 30 lb. lubricant capacity with easy pumping action, develops a 3500 lb. maximum pressure to lubricate the most closely fitted bearings. Automatic pressure release prevents nozzle drippage, waste and mess. Pump and lid assembly easily removed as a single unit for filling. Order 7' hose and coupler assembly 81768 separately.

Dimensions: 28" h x 14" w x 9" dia.

NOTE: Models 1272 and 81768 make up former model 1273D.

Model 1275

All purpose pump dispenses both lubricants and greases. Especially useful for lubrication of trac-roller bearings. Handle slot pin switches for high pressure 5000 psi or low pressure 2000 psi delivery. 40 lb. capacity steel container filled through pivot cover opening in lid. May also be used for fast, clean refilling of transmissions, differentials, gear cases and final drives. Order 7' hose and coupler assembly 81168 separately.

Dimensions: 23 1/2" h x 11 3/8" w x 14 5/8" long.

NOTE: Models 1275 and 81168 make up former model 1276.



1292



1272 shown with hose



1275 shown with hose and coupler assembly



Delivery Hose Assemblies for Bucket Pumps

2250 psi maximum operating pressure

Model	Length	Swivel	Coupler Extension
FOR CONTACTING HYDRAULIC FITTINGS			
81768	7'	80924	5834
FOR CONTACTING STANDARD BUTTON HEAD FITTINGS			
81673	7'	80924	81458
FOR CONTACTING LARGE BUTTON HEAD FITTINGS			
81168	7'	80924	80933

Manual Grease Pumps

Model	Cont. Size	Max. Pressure	Coupler Acces.	Hose	Follower	Output
FOR USE WITH ORIGINAL REFINERY CONTAINERS-SUPPLIED W/BUCKET COVER ASSEMBLY						
1292	25–50 lb.	2500 psi	5852	5 ft. 79060	91695	.303/stroke ¹
SELF CONTAINED MODELS						
1275	40 lb. bulk	5000 psi	80933	none	not supplied	.37 oz. stroke high ² .95 oz. stroke low

¹Using no. 1 multi-purpose grease at 80°F

²Using no. 1 cup grease at 70°F

WARNING

For safe and proper use, always consult instructions accompanying product. See **Safety Warning Information** for appropriate warnings.

Filler Pumps—Portable & Stationary

- Fast (less than a minute), positive gun refilling with simple pumping action
- Filler socket assembly eliminates mess, waste and air pockets



1296

Model 1296 Clamp-On Carry

Clamps to any original 25-50 lb. refinery container. Handles medium and light lubricants in any weather. Includes pump, filler socket, follower plate and ribbed steel drum cover. Rust resistant. Tube size 1 1/2".

Model 500 Stationary 120 lb. Drum

For use with original refinery drums with maximum head diameter of 14 9/16" and overall height of 26 5/8". Handles all high pressure lubricants. Includes pump, filler socket and drum cover with one set of adjusting screws to accommodate variations in drum diameter. Red enamel finish; pump head and handle in black. Delivers 1 oz. per stroke.



500

Filler pumps

Model	Container Size	Follower Plate	Filler Socket**	Dimensions
1296	25-50 lb.	91393	82614	20"h x 12 1/4"w
500	120 lb.	none*	80133	26 5/8"h x 14 9/16"dia.

* For pumping extra heavy lubricants, order follower plate 84780 for 500 pump.

**Requires 91108 filler nipple



80133

Model 80133 Filler Socket Assembly

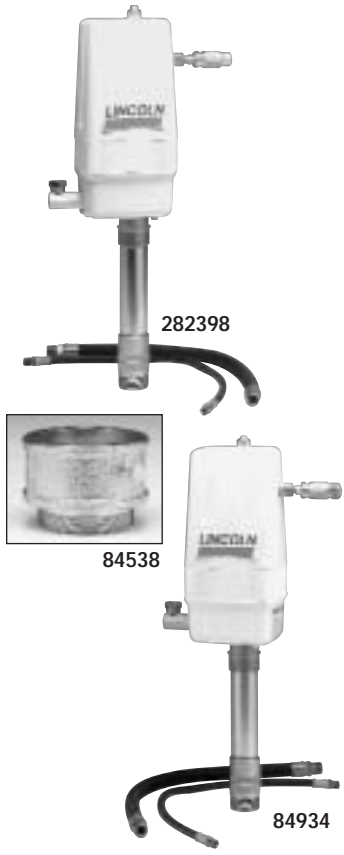
Convert guns and pumps for fast, convenient, economical loading. For attaching to filler pumps that are not Lincoln models; 3/8" NPT(f).



91108

Model 91108 Filler Nipple

Enables any grease gun to be loaded using a Lincoln filler pump or any filler pump with a 80133 filler socket assembly.



3:1—5:1 • Motor Oil, ATF, Gear Lube and Other Fluid Lubricants

Now you can build your 3:1 ratio or 5:1 ratio oil pump with a stub pump plus suction kit or you can order complete models. You make the choice.

Series 25 Pumps

This 2" diameter, 25 cubic inch displacement stub pump family is based on our 3:1 ratio 282396 bare stub pump.

Model 282398

3:1 pressure ratio stub pump assembly comes complete with 282396 bare stub pump, 84935 pump cover kit, 73024 oil connecting hose, 72024 air connecting hose, 241584 90° volume union elbow, 815 air coupler, 11659 air nipple and 84538 bung bushing. Delivers a uniform 6 gallons of product per minute free delivery. Ideal for dispensing fluids from drums, tanks or remote standpipe mount.

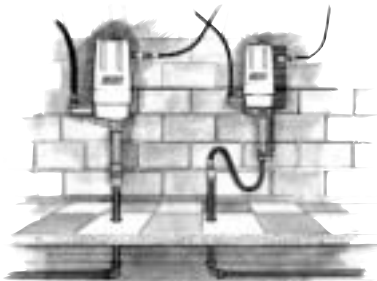
Series 40 Pumps

This industry proven 2 1/2" diameter, 40 cubic inch displacement stub pump family is based on the Lincoln 5:1 ratio 84933 bare stub pump.

Model 84934

5:1 pressure ratio stub pump assembly comes complete with 84933 bare stub pump, 85935 pump cover kit, 73024 oil connecting hose, 72024 air connecting hose, 241584 90° volume union elbow, 815 air coupler, 11659 air nipple and 84538 bung bushing. Delivers a uniform six gallons of product per minute free delivery.

Versatile Stub Pump Mounting Options



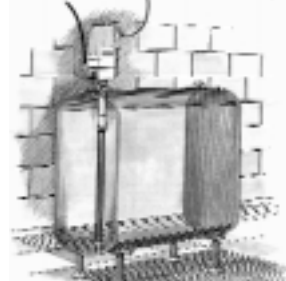
Standpipe and wall mount assembly to remote bulk tanks

3:1 (282398) or 5:1 (84934) pump, wall mount kit (84940), low level cut-off (84946) or foot valve (85765).



Wall mount to any size drum

3:1 (282398) or 5:1 (84934) pump, wall mount kit (84940), suction kit (84945) and low level cut-off (84946) or foot valve (85765).



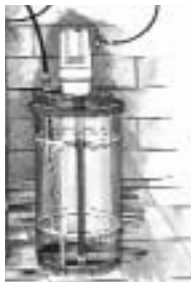
Above ground tank

(275 gallon tank shown) 3:1 (282398) or 5:1 (84934) pump and universal suction kit (85949).



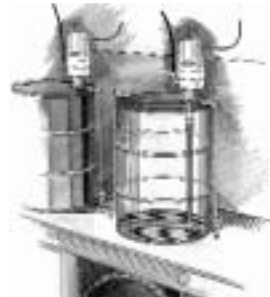
55 gallon drum mount using bung bushing

3:1 (282398) or 5:1 (84934) pump and 55 gallon drum suction (85755).



16 gallon drum mount using drum cover

3:1 (282398) or 5:1 (84934) pump, drum cover (46007) and 16 gallon drum suction kit (85716).



55 gallon drum mount on lube truck using drum cover

3:1 (282398) or 5:1 (84934) pump, eyebolt kit (84941), drum cover/tie-down kit and 55 gallon drum suction kit (85755).



3:1 • Motor Oil, ATF, Gear Lube and Other Fluid Lubricants

Shop/Garage/Lube Truck Applications —16 Gallon Drums*

Model 2437

Complete with 282686 pump, 73060 lubricant connecting hose, 241584 volume elbow, 72060 air connecting hose, 815 air coupler, 11659 air nipple.

Model 83447

Pump elevator assembly lifts pump assembly clear of drum for easy, one person drum changes. Height with drum is 39³/₈" , 67¹/₄" with elevator raised. Drum not included.

55 gallon drums

Model 2424

Comes complete with 282133 pump, 84538 2" NPT(m) bung bushing, to fit original 55 gallon bung opening drums, 241584 volume union elbow, 815 air coupler, 11659 air nipple, 73060 lubricant connecting hose and 72060 air hose.

250/275 Gallon Tanks

Model 284168

Comes complete with 282396 pump and 85949 universal suction tube kit, 84538 bung bushing, air and lubricant connecting hose. Pumps oil, gear lube, ATF, etc. from tanks, drums.

**For lube truck applications, contact your Lincoln distributor.*

Note: All models based on the 282396 series 25 3:1 bare oil pump which delivers 6 gpm free flow plus a suction tube.

Series 25 Oil Pumps

Model	Description	Bare Pump No.	Free Delivery	Ratio	Drum Size	Air Inlet	Material Outlet	Use/ Location
282396	Bare stub pump	282396	6 gallons	3:1	stub/universal	1/4" NPT	1/2" NPT	universal
282398	Stub pump assemb.	282396	6 gallons	3:1	stub/universal	1/4" NPT	1/2" NPT	universal
2437	Stationary	282686	6 gallons	3:1	16 gallon	1/4" NPT	1/2" NPT	shop
282133	Bare drum pump	282396	6 gallons	3:1	55 gallon	1/4" NPT	1/2" NPT	replacement
2424	Stationary	282133	6 gallons	3:1	55 gallon	1/4" NPT	1/2" NPT	shop
284168	Stationary tank	282396	6 gallons	3:1	250/275 gallon	1/4" NPT	1/2" NPT	shop

All models based on the 84933 Series 40 5:1 bare oil pump which delivers 6 gpm free flow plus a suction tube.

Series 40 Oil Pumps

Model	Description	Bare Pump No.	Free Delivery	Ratio	Drum Size	Air Inlet	Material Outlet	Use/ Location
84933	Bare stub pump	84933	6 gallons	5:1	stub/universal	1/4" NPT	1/2" NPT	universal
285133	Bare drum pump & tube	84933	6 gallons	5:1	55 gallon	1/4" NPT	1/2" NPT	replacement
2524	Stationary 55 gal.	285133	6 gallons	5:1	55 gallon	1/4" NPT	1/2" NPT	shop
2537	Stationary 16 gal.	285686	6 gallons	5:1	16 gallon	1/4" NPT	1/2" NPT	shop
84934	Stub pump assemb.	84933	6 gallons	5:1	stub/universal	1/4" NPT	1/2" NPT	universal
285168	Stationary tank	84933	6 gallons	5:1	250/275 gallon	1/4" NPT	1/2" NPT	shop
285231	Lube truck	285133	6 gallons	5:1	55 gallon	1/4" NPT	1/2" NPT	lube truck



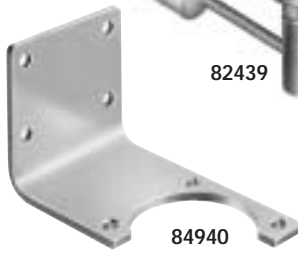
84538



85765



82439



84940

Series 25 & 40

Bung Bushing / Low Level Cut-Off / Foot Valves

Model	Description	Threaded Connection	Notes
84538	Pump bung bushing	2" (m)	Mounts series 25 or 40 pump to 2" oil drum opening
82439	Low level cutoff	1 1/2" NPT(m)	Used with "new oil" oil pumps
84946	Low level cutoff	1" NPT(m)	Used with "new oil" oil pumps
85765	Foot valve	1" NPT(f)	Used with "new oil" oil pumps

Wall Mount Kit

Model	Description	Notes
84940	Wall mount kit-Series 25 & 40	Used with 84945 Suction Kit

Suction Kits

Model	Description	Threaded Connection	Notes
84945	Remote suction kit	1" NPT(f)	Includes 5' oil hose, bung bushing and 1" x 32" pipe
85716	16 gal. drum suction kit	1" NPT(m)	Adapts any series 25 or 40 oil pump to 16 gallon drum
85755	55 gal. drum suction kit	1" NPT(m)	Adapts any series 25 or 40 oil pump to 55 gallon drum
85949	Universal suction kit	1" NPT(m)	Adapts any series 25 or 40 oil pump to drum or tank use

Pump Covers

Model	Description	Notes
84935	Pump cover	Series 20 pumps
85935	Pump cover	Series 25 & 40 pumps



84945

Hose

Model	Description	Threaded Connection	Notes
72036	3' low pressure connecting	1/4" NPT(m)	Max working pressure: 250 psi
72060	5' low pressure connecting	1/4" NPT(m)	Max working pressure: 250 psi
73036	3' medium pressure connecting	1/2" NPT(m)	Max working pressure: 1000 psi
73060	5' medium pressure connecting	1/2" NPT(m)	Max working pressure: 1000 psi



85935

85949

Eye Bolt Kit

Model 84941

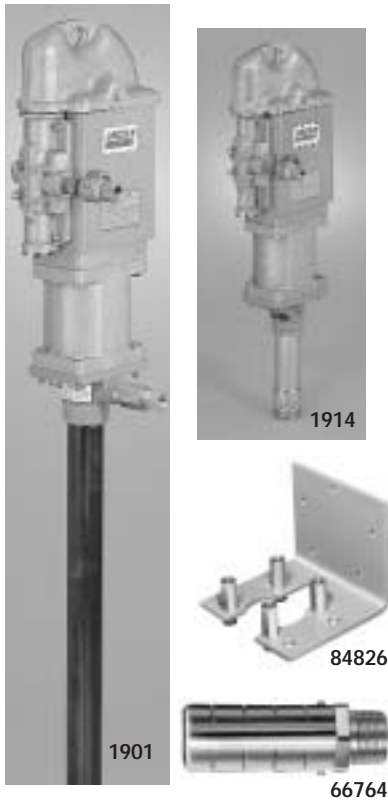
Eye bolt kit for all series 20, 25 and 40 pumps, makes drum changing easy. Two part kit screws directly onto pump for lifting with pump elevator.



72036

73036

84941



Motor Oil, ATF, Gear Lube and Other Solutions

PowerMaster Pump Features

- Gives years of dependable trouble-free operation.
- Costs much less to operate—costs much less to maintain.
- High volume output—air motor has extra long stroke for powerful, uniform delivery on both up and down strokes.
- Pump outlet body of all-steel construction designed to withstand pulsation and extreme pressure. All wearing parts are tough, heat-treated steel.
- Trouble-free, positive performance. Air motor operation has no springs to wear out, rust or lose tension. Air valve is stall-proof, leak-proof and pre-lubricated. Double-acting mechanisms ensure dependable low-surge operation with minimum air consumption.
- Simplified maintenance. Modular design of pump tube allows for easy disassembly. Air motor piston and cylinder...no oiling required, minimum friction, no leather cups.

Model 84826 Universal Wall Mounting Bracket

For PowerMaster II or III air motor assemblies.

Air Motor Muffler

Model 66764

For use on pump stations that incorporate the PowerMaster II air motor. 3/4" NPT(m). Two required per air motor.

Ball Type Medium Pressure Pumps

Model	Ratio	Pump Tube Type	Air Motor	Diameter in. / mm	Pump Tube	Material Outlet**	Output per cycle cu. in / cc	Approx. Cycles per gal / liter
1901	12:1	55 gal	82730	4 1/4" / 108	82790	3/4" NPTF	9 / 148	26 / 7
1952	6:1	55 gal	82895	3" / 76	82790	3/4" NPTF	9 / 148	26 / 7

Medium Pressure Stub Pumps

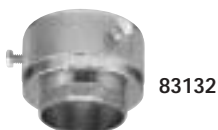
Model	Ratio	Pump Tube Type	Air Motor	Diameter in. / mm	Pump Tube	Material Outlet**	Output per cycle cu. in / cc	Approx. Cycles per gal / liter
1914	12:1	stub	82730	4 1/4" / 108	84335	3/4" NPTF	9 / 148	26 / 7

* Not to be used with meters. ** All PowerMaster pumps include 3/4" NPTF(m) x 1/2" NPTF(f) bushing in the material outlet.

NOTE: Model number with "-1" indicates model including bung bushing (ex., 1935-1).

Model number with "-2" indicates model including drum cover (ex., 1935-2).

Full range of Series II and Series III PowerMaster pumps available. See your Lincoln representative.



Model 83132 Bung Bushing

Screws in bung opening of 400 lb. drums and custom-built tanks to secure any PM II & III pumps. Plated to resist rust. Threaded 2" NPT(m).

Model 84945 Suction Kit

For transfer of product from drums, bulk tanks or reservoirs. Includes bung bushing suction tube, hose and coupling assembly. NOTE: 2" x 1" bell reducer required for use with Model 1914, not included.

Model 82439 Low Level Cutoff

Automatically shuts off flow of oil; keeps supply lines primed. Recommended when dispensing oil through metering devices to conform with standards of the National Conference of Weights and Measures. Assembles to 1 1/2" NPT standpipe which assembles to pump.

Model 84946 Low Level Cutoff

Same as 82439, except 1" NPT.



Medium Pressure • Gear Lube and ATF

Air Operated Mobile Gear Lube Dispensers

Fast, clean refilling using efficient Lincoln air operated pumps.

- 3:1 (2435) and 5:1 (2535) pump ratios delivers gear oil with minimum consumption.
- Air expeller built into pump tube prevents air from registering through meter.
- Large replaceable swivel casters provide ease of maneuverability (mobile models).
- Baked on enamel finish retards rust and corrosion.
- Includes air coupler 815 and 780 shut-off valves. Drum not included.



2535

Manual Gear Lube Dispensers

These quality manually operated pumps provide fast, clean refilling of differentials, gear cases and final drives.

- Cast iron pump outlet body and handle (except 1293) provide durability and longevity.
- Metered models have air expeller built into pump tube (prevents air from registering on meter).
- Large replaceable swivel casters provide ease of maneuverability (mobile models).
- Baked enamel finish helps prevent rust and corrosion.
- Self contained units and sealed models prevent contamination or spillage of product being dispensed.
- Smooth, easy pumping action (no crank or gears) dispenses all types of gear lubricants, even in the coldest weather.



535

ATF Dispensers

Provides fast, clean refilling of all types of transmissions. Ideal for passenger vehicles, light trucks and vans.

- Cast iron pump outlet body and handle provide durability and longevity.
- Air expeller built into pump tube prevents air from registering through meter.
- Large replaceable swivel casters provide ease of maneuverability (mobile models).
- Baked on enamel finish retards rust and corrosion.
- Smooth, easy pumping action for positive fluid dispensing, even in the coldest weather.



Note:
Specifications
on page 24.

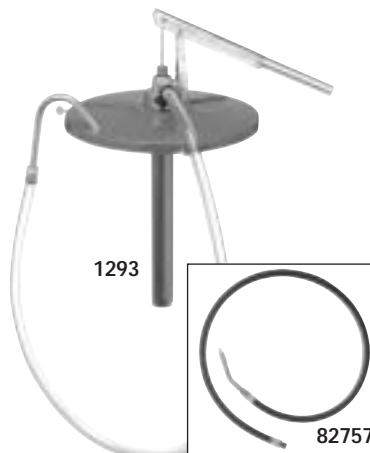
1253

WARNING

For safe and proper use of pumps, always consult instructions accompanying product. See **Safety Warning Information** for appropriate warnings.



1254



1293

82757



527

Air Operated Mobile Gear Lube Dispensers

Model	Container	Meters	Style	Base	Hose Length	Pump Tube	Nozzle	Output
2435	120 lb.	pint	Drum cover	80895 roll-a-round	5 ft. (73060)	25 ³ / ₄ "	780	6 gpm
2535	120 lb.	pint	Drum cover	80895 roll-a-round	5 ft. (73060)	25 ³ / ₄ "	780	6 gpm
2435LN	120 lb.	liter	Drum cover	80895 roll-a-round	5 ft. (73060)	25 ³ / ₄ "	780	6 gpm

Manual Gear Lube Dispensers

535	120 lb.	pints	15" ID drum cover	80895 roll-a-round	5 ft. (74560)	25 ³ / ₄ "	80599	*
535LN	120 lb.	liters	15" ID drum cover	80895 roll-a-round	5 ft. (74560)	25 ³ / ₄ "	80599	*
535-58	120 lb.	pints	15" ID drum cover	none	5 ft. (74560)	25 ³ / ₄ "	80599	*
549	120 lb.	none	15" ID drum cover	80895 roll-a-round	5 ft. (74560)	25 ³ / ₄ "	80599	*
549-58	120 lb.	none	15" ID drum cover	none	5 ft. (74560)	25 ³ / ₄ "	80599	*
1253	30 lb. bulk	pints	self cont. handle	Int. 9"dia / 13 ³ / ₄ "w	5 ft. (74560)	17" below rim	80599	*
1253LN	30 lb. bulk	liters	self cont. handle	Int. 9"dia / 13 ³ / ₄ "w	5 ft. (74560)	17" below rim	80599	*
1254	30 lb. bulk	none	self cont. handle	Int. 9"dia / 13 ³ / ₄ "w	5 ft. (74560)	13" below rim	80599	*
1293	30 lb. bulk	none	12" ID clamp-on carry	none	5 ft.	13" below rim	NA	**

Model 82757 Hose/Nozzle Kit

Hose and nozzle upgrade kit for model 1293. Includes 80999 nozzle assembly and 5' 74560 hose. Order separately.

ATF Dispensers

527	120 lb.	none	15" ID drum cover	80895 roll-a-round	7 ft.	25 ³ / ₄ " below rim	93547	***
527A	120 lb.	quarts	15" ID drum cover	80895 roll-a-round	7 ft.	25 ³ / ₄ " below rim	93547	***

* 1 pt. per 7 strokes using SAE 90 Gear Lubricator at 70°F

** 1 oz. per stroke using SAE 90 at 70°F

*** 8 strokes per quart



Drum Transporters

Model 674 Hand Truck

All steel, rugged construction with 6" dia. wheels. Finished in Lincoln red. 41" high x 15" wide. For use with an 120 lb. or 16 gallon drum.

Model 80895 Roll-A-Round Base

Use with 120 lb. refinery containers. Four ball bearing swivel casters and screw clamps.

Drum Dollies

Model 84191 25-50 lb. Band Dolly

Band-type dolly for any original 25-50 lb. refinery containers.

Model 84192 120 lb. Band Dolly

Band-type dolly for use with 120 lb. refinery containers.

Model 84377 Drum Dolly

Use with any 400 lb. drum. ID 23¹/₄", height 5¹/₄", hard rubber wheels: 1" wide, 2¹/₂" dia.





3:1 and 5:1 Ratio Pump Packages

Lincoln pump 3:1 and 5:1 ratio packages include 602003 regulator, 600401 gauge, 815 coupler and 11659 nipple. Control valve, inline meter or handheld metering control valve must be ordered separately (except model 4283).

Model 4265 3:1 with 30' Reel

3:1 ratio bulk oil pump with 2" bung bushing 282398 and model 85949 universal suction tube with foot valve for drum or tank mounting. Includes 1/2" x 30' oil reel with 2' connecting hose 6M34. See pages 37 and 38 for delivery valve options.

Model 4262 3:1 with 50' Reel

3:1 ratio pump with 2" bung bushing 282398 and 85949 universal suction tube with foot valve for drum or tank mounting. Includes 1/2" x 50' oil hose reel with 2' connecting hose 6M54. See pages 37 and 38 for delivery valve options.

Model 4283 5:1 with 50' Reel & Meter

Deluxe assembly including 84934 5:1 ratio pump with bung bushing, universal suction tube with foot valve to fit any size container up to 275 gallons. Includes 1/2" x 50' oil hose reel 6M54 with 2' connecting hose. 967 electronic meter totalizes in gallons with quart, gallon or pint readout.

NOTE: Pipe, fittings and hardware for installation of overhead reel assembly supplied by others.



4283

Reel • Pump • Meter Packages

Lincoln puts all the components you specify in one easy-to-order package.

RPM Packages

Model	Pump Kit/Ratio	Reel/30'	Electronic Meter	Air Regulator	Air Gauge
RPM 8	282398/3:1	6M34	977 universal	600003	600401
RPM 10	84934/5:1	6M34	977 universal	600003	600401

NOTE: Always consult fluid/solution manufacturer specifications AND local fire code(s) before installing any pump into service. Most modern automotive fluid/solutions include some type of "additive package" which may not be compatible with the typical applications listed below. Some fluids or solutions are considered flammable and/or combustible in which case the dispensing pump should be properly grounded. (Order air coupler and air nipple separately)

1:1 Piston Transfer Pumps

Model	Pump Descrip.	Pump Body	Wetted or Soft Parts	Pump Inlet/Outlet NPT	Max. Free Delivery GPM	Air Inlet NPT(f)	Max. Rec. Inlet Air Pressure	Max. Susp. Solids Dia.	Typical Automotive Use
84829	stub	alum/steel/ plastic	Buna-N	1" / 3/4"	14 gpm	1/4"	150 psi	NA	Universal/ new oil transfer
82230	55 gal. drum	alum/steel	Buna-N	3/4" - 1 1/2" A.N.	20 gpm	1/4"	150 psi	NA	55 gal. drum/ new oil transfer

Model 84829 Universal

Stub pump design provides the versatility to transfer and dispense controlled amounts of lubricant using an oil spigot, control valve or meter. Adaptable for 16 or 55 gal. containers as well as bulk tank or standpipe installations. Delivers 12.5 cu. in. per cycle. Includes suction tube, bung bushing, air coupler and air nipple.

Model 82230

Transfer pump quickly transfers fluids directly from 55 gallon drums. 2" bung bushing adjusts to varied drum lengths. Designed to stall against lubricant pressure.



82230



1325



1326



1327

Manual • High Volume

Model 1325 Lever Action

Steel piston with brass piston rings assures long life and durability. Neoprene seals resist wear and abrasive fluids. Zinc plated pump and spout retards rust and corrosion. Curved discharge spout with garden hose threads allows for convenient hose extension.

Model 1326 Diaphragm Action

Neoprene seals resist wear from abrasive fluids. Double acting diaphragm delivers one full gallon per eight strokes. 8' hose with discharge nozzle.

Model 1327 Rotary Vane

Dual graphite bakelite vanes with aluminum body assures light weight and dependable service. Curved discharge spout for convenient discharge of fluid. Spout has 3/4" NPT(m) threads allows for ease of extension or connection to another drum.

Transfer pumps

Model	Drum Size	Bung Bushing	Output
1325	16 to 55 gal. w/2" bung opening	2" NPT(m)	1 pint per stroke
1326	16 to 55 gal. w/2" bung opening	2" NPT(m)	1 pint per stroke
1327	16 to 55 gal. w/2" bung opening	2" NPT(m)	7.5 gal. per revolution



84811

1:1 Air Operated Diaphragm Pump Line

Model Number	Pump Desc.	Pump Body	Wetted or Soft Parts	Pump Inlet/Outlet NPT	Max. Free Delivery gpm	Air Inlet NPT(F)	Max. Rec. Inlet Air Pressure	Max. Susp. Solids
85632	1/2"	Aluminum	Teflon	1/2" / 1/2"	15	1/4"	100 psi	1/8"
85627	1"	Aluminum	Buna-N	1" / 1"	45	1/2"	125 psi	1/4"
84811	1" UL	Aluminum	Buna-N	1" / 3/4"	37	1/4"	50 psi	1/8"

* Check local fire codes before using any pump in a used oil system. Some fire codes require the use of a U.L. Listed pump to pump used oils.
* Always check chemical compatibility information before putting pump into service.

Choose the fluid handling equipment that fits your needs.

Traditional Drain: the traditional method for handling used fluids allows gravity to drain fluids from vehicle(s) into a portable or mobile fluid drain and then gravity allowing those fluids to drain into a used fluid storage tank.

Drain & Evacuate: instead of gravity draining fluids into a storage tank, fluids are evacuated from the fluid drain into the tank with a suction pump system.



Standard Oil Drains

Model 613

Used with 16 gallon (120 lb.) open-top drum (66493 drum not included). Convenient float gauge shows when drum is full. Includes 17" square rolling base 80895 with 2 1/2" ball bearing caster wheels. 14" drain bowl 82786 is adjustable from 42 3/4" to 70".



Model 3644

Used with 16 gallon (120 lb.) open-top drum. (66493 drum not included). Float gauge shows when drum is full. Includes 17" square rolling base 80895 with 2 1/2" caster wheels. 20" diameter drain bowl 3609 is adjustable from 42 3/4" to 70".



Model 66493 120 lb. Drum

16 gallon (120 lb.) drum with 3/4" NPT(f) threaded hole near bottom/side of drum for drain valve or spigot (70526 – sold separately.)



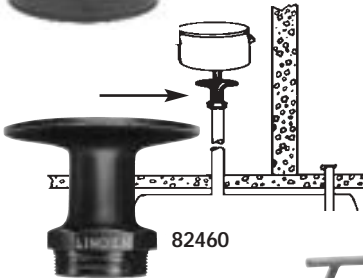
Pedestal-Style Oil Drain

Model 3605

Lightweight, easy to position and maneuver. Latch trigger automatically locks drain bowl at any height. Reversible for double life! Bowl cover lid hinged for splash guard extends to catch oil flowing from hard to reach drain plugs. Spring actuated valve in drain bowl to prevent leakage. Includes 82460 drain adapter bushing for draining bowl. Includes large 13 1/2", 4 1/2 gallon bowl assembly 83386.

Model 82460 Drain Adapter

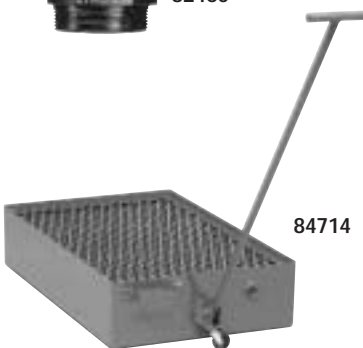
Used with 3605 to drain bowl. When bowl is set into drain adapter bushing a pin automatically releases spring loaded valve. Adapter bushing assembles to a 2" NPT used oil tank stand pipe or screws directly into a 2" 55 gallon drum opening.



Truck Oil Drain

Model 84714 20 Gallon Cart

Ideal oil drain for RV, truck, heavy equipment maintenance and repair. Low profile, large 20 gallon capacity cart. 42" T-handle for easy cart positioning. Used oil transfer by either gravity or suction evacuation. Order drain valve or suction evacuation pump and fluid couplings separately. Two stationary rear wheels and one front wheel caster with grab handle for ease of under vehicle positioning. Metal grating, two baffles and continuous side splash guards to prevent oil spillage during vehicle draining and cart movement. Maximum height is 8.65".





3608

Drain Bowls

Model 3608

Large 20" bowl used on 3643 or to update an existing 3613 to a 20" drain bowl.



82786

Model 3609

Large 20" bowl used on 3644 or to update an existing 613 or 3607 to a 20" drain bowl.

Model 91197

Standard 14" bowl used on 613 and 3613 used oil drains.

Model 82786

Same as 91197 but includes lid.

Model 83386

Standard 13 1/2" bowl used on 3605 used oil drains. Large 4 1/2 gallon capacity.



83386

Funnel & Drain Adapters

Model 3610

24 1/2" diameter. Use when larger draining area is required. 3610 molded plastic drain pan rests securely on top of used oil drains. Can be used with pedestal or portable drain devices with 6" or larger drain



3610

Model 70526 Drain Spigot

Used fluid drain valve for use with 613. 1/2" NPT(m) connection.

Suction Guns

Model 615

Holds up to 18 ounces of fluid. Flexible nozzle for transmission, differential or oil filter service. Precision follower fitted to barrel for superior suction and is impervious to oil, grease and water. Finished in rust-resistant, powder coated blue paint.



615

Air Operated Fluid Evacuation System

Model 84790

This versatile system works for oil changes in transmissions, differentials and transfer cases, for coolant removal, and on marine and industrial equipment. Ideal for engines with tough to reach drain plugs. Contains variety of suction probes for maximum flexibility. Universal draining console for handy wall, floor or drum mounting. Unit can be pre-charged with air and be transported for use where air is not available.



84790

Specifications

Working Pressure	80-175 psi (5.5-12 bar)
Air Compression	7.4 CFM (210 L/min)
Canister Volume	1.85 gal (7L)
Weight	12 lb (6.35 kg)
Air Line Connection	1/4" (f) pipe thread

Handling / Recovery / Accessories

Drain & Pressurize: this new concept in used fluid handling employs the benefits of the drain & evacuate system without an evacuation pump—the fluid drain is pressurized to evacuate the used fluid.

Pressurized Evacuation Drains

Model 3613 18 Gallon Tank

14" bowl 82786 is adjustable with lock screw from 48" to 76". Standard shop air pressure evacuates used oil into used oil storage tank. Preset/non-adjustable regulator prevents over pressurization. Preset pop-off valve for additional safety. Rugged steel construction with large wheels and casters. Permanent hose assembly acts as sight gauge to prevent over filling.

Model 3643 18 Gallon Tank

Same as 3613 but with 20" diameter bowl 3608.

Antifreeze Recovery

Model 3653 18 Gallon Tank

Same as 3643 except painted bright green to help keep used antifreeze separate from other used fluids.

Closed-Loop Pressurized Evacuation Drains

Drain & Pressurize (Closed-loop): the newest Lincoln used fluid handling concept takes the standard drain and pressurized system to a new level by eliminating used fluid spills while evacuating the mobile drain unit.

Model 3633 18 Gallon Tank

Includes all 3613 features. Standard shop air pressure evacuates used oil into used oil storage tank through a dry seal fluid coupler. This closed-loop system provides extra assurance against spillage. Order evacuation hose kit 4106 separately.

Model 4106 Evacuation Hose Kit

Use with 3633 to evacuate used fluid receiver. Includes 3/4" fluid coupler and 5' hose. Attaches to bulk used fluid tank for a closed-loop system.

Evacuation Coupler & Nipple Kit

Model 237105 Suction Hose

For use in high volume transfer and evacuation systems, 1" NPT(m) threads x 7'.

Fluid Couplers & Nipples

Model 241408 Coupler & Model 241409 Nipple

For use in high volume transfer applications, both models have 1" NPT(f) threads.



Don't waste valuable time waiting on gravity to empty waste oil drains. Lincoln installed systems provide the fast, profitable, safe way to get rid of waste oils and other fluids when gravity draining is not possible or practical. Quickly pump out fluids from rolling drain pans, portable oil drains, differentials and transaxles.

Basic Fluid Evacuation Pumping System

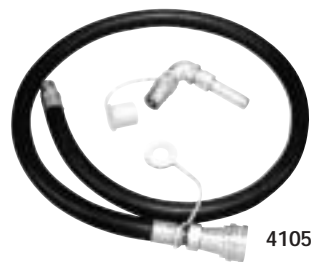
Lincoln's Basic Fluid Evacuation and Disposal System features a 1" U.L. Listed corrosion-resistant aluminum double-diaphragm pump that creates a powerful suction to drain used fluids quickly, and transfers them through a completely enclosed system to any type of remote storage tank. Provides clean, safe disposal of waste fluids with no drips, no spills. Pump is air-operated and can be easily mounted on any convenient wall surface. One basic system can serve multiple bays with the addition of hardware.



4100

Model 4100

Includes rugged, heavy-duty, 1" U.L. Listed air-operated double diaphragm self-priming pump 84811, 1" x 5' fluid hose 237105, 3' air hose 72036, airline filter 602104, lubricator 602204, regulator 602004, 3/4" x 5' fluid inlet hose 68620 and other air couplings for easy outlet installation.



4105

Model 4105 Portable Drain Adapter Kit

Includes 1" x 7' suction hose 237105, quick disconnect coupler 241408, nipple 241409 and mounting hardware for hookup to side port of 16 gal. drum 66493 or truck oil drain 84714.



4110

Model 4110 Differential & Transaxle Kit

Includes suction hose, fittings and two interchangeable wands for all vehicle makes and models that allow you to drain fluids through plug openings.



84700

Model 84700 Rolling Drain Pan

Designed for pit installation, 30 gallon capacity 84700 features quarter-turn ball valve drain on front or back of unit for multiple drain hook-up 1 1/2" NPT. Infinite-adjustable axles fits pits 36" to 49 1/2" wide. Polyurethane wheels for smooth, quiet operation, dust cap, chain and splash guard assemblies included.



84817

Model 85255 Wall Mount Bracket

Wall mount bracket for 1/4" to 1/2" air operated diaphragm pumps

Model 84817 Wall Mount Bracket

Wall mount bracket for 1/2" to 2" air operated diaphragm pumps

Used Fluid Overfill Warning Valves

Float rises with used fluid to activate "whistle" warning at prescribed level.

Model 84815 Single Wall

For single wall tanks & drums in used fluid systems and above ground tanks.

Model 84824 Double Wall

Same as 84815 except for double walled tanks and above ground tanks.

Model 84816 4-Way Valve

Four port, two position valve used in waste fluid systems. Enables one pump to pump into and out of drum or tank.

84816

84815

Benefits of Lincoln Air Operated Used Oil Filter Crushers

When you consider that the oil in just one used filter can pollute up to 62,000 gallons of ground water, it's clear that using a Lincoln Oil Filter Crusher is good for the environment.

- Crushed oil filters will significantly reduce your storage and disposal costs. A crushed filter occupies only about 20% as much space as a uncrushed one, so you can get 4 or 5 times as many used filters in a storage barrel, providing dramatic savings in waste hauling charges.
- Crushing recaptures used oil, making filters eligible for recycling as scrap metal. You won't have to pay the high cost of toxic disposal and could even be reimbursed for the scrap metal.
- Lincoln Oil Filter Crushers extract up to 95% of the free flowing oil...oil which can be added to your used oil and sold.



Features

Lincoln Oil Filter Crushers are built to last. They're constructed of heavy gauge steel and have a dual safety interlock door. All Lincoln units are fully pneumatic, requiring normal air pressure (120-150 psi), and are therefore safe to operate, easy to install and maintenance free.

- Reduce storage and disposal costs.
- Recaptures used oil.
- Crushed filter can be recycled as scrap metal.

Model 4160C

Crushes one automotive filter at a time. Can be mounted to a workbench, waste oil tank or attached to the optional stand 4161 and features easy to use connections for waste oil collection through ports in the back and at the bottom. Includes air filter and regulator as standard equipment.

NOTE: Order 4159 to get both the crusher unit and stand.

Model 4161 Stand

Stand is designed so that a 55 gallon drum can be placed underneath it to collect used oil.

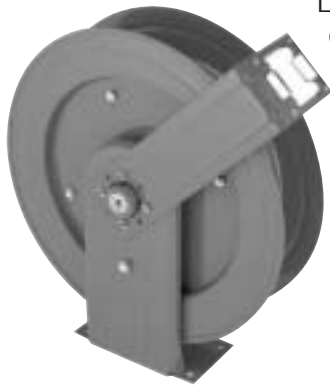
Depth	Width	Height	Height with 4160	Weight
26"	29 ³ / ₄ "	42 ¹ / ₂ "	69 ³ / ₈ "	50 lbs.

Model 4163

Designed for heavy-duty applications. Handles one heavy-duty, oversized filter or four standard auto filters at a time and has 17¹/₂ tons of crushing force. This free standing unit features a grated top for draining oil prior to crushing and easy connections for used oil collection via ports at the bottom. Includes airline filter and regulator as standard equipment.

Filter Crushers

Model	Capacity	Crushing Force	Crushing Time	Air Pressure	Maximum Filter Size	Dimensions	Shipping Weight
4160C	One std. auto filter	7500 lbs.	15 sec.	120 to 150 psi	7 ¹ / ₈ "h / 6"dia.	27" h / 14 ¹ / ₂ " w / 13 ¹ / ₂ " d	141 lbs.
4163	One heavy duty or four std. auto filters	17 ¹ / ₂ tons	25 sec.	120 psi	15 ³ / ₄ " h / one 8" dia. or four 4" dia.	63" h / 27 ³ / ₄ " w / 27 ³ / ₄ " d	640 lbs.



Lincoln's continued commitment to the best value for the dollar hose reel is reflected in our Golden Standard Reels. This design reflects decades of engineering refinement and extensive field evaluation. Lincoln's commitment to the lubrication equipment market is legendary, as are the original Lincoln Golden Standard Series Reels. Lincoln has combined the value of the original Golden Standard Series Reels with additional engineering design features to produce the best reel yet.

Features

- All bare reels have 50' hose capacity.
- Reel assemblies available in standard 30' and 50' hose lengths.
- Models are available to suit every application—grease service (high pressure), oil service (medium pressure) and air/water service (low pressure).
- Basic reel assemblies can be ordered with one model number and include delivery hose, ball stop and connecting hose—no additional hoses to buy or supply.
- Seven position roller outlet arm delivers a flexible reel design which can be used in ceiling, wall, tank or under service bench mount applications.
- All models include oilite bronze bearings, a time proven design.
- All models include a banded power spring for added safety.
- One piece gusseted and welded base will deliver years of trouble-free service.
- Backed by a five year limited warranty. See your Lincoln representative for details.

Bare Reel Specifications

Model	Application	Hose Capacity			Working Pressure/ Bare Reel, psi (BAR)	Inlet/ Outlet(f)
		SAE	Type	Length		
6H00	Chassis Grease	100R2	75	50'	High 5000 (340)	1/4" NPTF
6M00	Fluid Lubricants, Air & Water	100R3	73	50'	Medium 1000 (68)	1/2" NPTF



6H52

High Pressure Reels & Assemblies

Basic Grease Assemblies* *Less Hose End Control*

Model Number	Description	<i>Included with Reel Assemblies</i>				
		Bare Reel Model	Delivery Hose	Connecting Hose	Ball Stop	Control Valve or Meter
6H32	1/4" x 30'	6H00	75360	75024	85516	NA
6H52	1/4" x 50'	6H00	75600	75024	85516	NA



6M34

Medium Pressure Reels & Assemblies

Basic Fluid Lubricant Assemblies* *Less Hose End Control*

6M34	1/2" x 30'	6M00	73360	73024	85517	NA
6M54	1/2" x 50'	6M00	73600	73024	85517	NA



6L32

Low Pressure Reels & Assemblies*

Basic Air, Water* *Less Hose End Control*

6L32	1/4" x 30'	6M00	72360	74024	85515	NA
6L33	3/8" x 30'	6M00	72360A	74024	85516	NA
6L52	1/4" x 50'	6M00	72600	74024	85515	NA
6L53	3/8" x 50'	6M00	72600A	74024	85516	NA
6L54	1/2" x 50'	6M00	74600	74024	85517	NA

* See pages 36 – 40 for meter, valve, or air coupler options for end of delivery hose.

The Heavy Duty Series reels are the finest Lincoln lube reels ever designed. Years of engineering, testing and experience preceded their introduction. The quality and reliability the professional expects from Lincoln is not only met but exceeded in form and function by the HD Series. Value, long-life and top performance were the criteria demanded before these incredible reels were released.



Features

- All bare reels rated for high, medium and low pressure
- Reel assemblies available in standard 30', 40' and 50' hose lengths
- Dual needle roller bearings
- Ball bearing inlet swivel design
- Quick disconnects on delivery and connecting hose
- Spring canister with seals
- Thirteen position roller outlet arm
- Delrin rollers
- Quarter-inch thick steel welded base and roller outlet arm
- Reel sheaves are rolled
- Components individually powder painted for long life and scratch resistance
- All reel assemblies factory assembled and pressure tested to insure a quality leak-free installation every time
- Basic reel assemblies can be ordered with one model number; include delivery hose, ball stop and connecting hose
- Complete reel assemblies with meter, control valve or air coupler are also available as one model number
- Backed by a five year limited warranty. See your Lincoln representative for details

Bare Reel Specifications

Model	Lincoln Reel Application	Hose Capacity			Working Pressure	Sheave Width	Inlet/Outlet
		SAE	Type	Length			
82206	Heavy duty oils, chassis grease, antifreeze, ATF, air and water	100R2	75	50'	5000	5 1/2"	1/2" NPTF
		100R2	76A	50'	5000	5 1/2"	1/2" NPTF
		100R2	76B	50'	5000	5 1/2"	1/2" NPTF
		100R3	73	50'	5000	5 1/2"	1/2" NPTF
		100R1	78	50'	5000	5 1/2"	1/2" NPTF
		100R6	72A	50'	5000	5 1/2"	1/2" NPTF

High Pressure Reels & Assemblies

Basic Grease Assemblies* Less Hose End Control

Basic Reel	Bare Reel	Delivery Hose	Hose Size	Connecting Hose	Ball Stop	Control Valve
85003	82206	75240	20' x 1/4"	75024	85516	NA
85003-30	82206	75360	30' x 1/4"	75024	85516	NA
85004	82206	75480	40' x 1/4"	75024	85516	NA
85004-50	82206	75600	50' x 1/4"	75024	85516	NA
85006-30B	82206	76360B	30' x 3/8"	76024B	85517	NA
85004-50B	82206	76600B	50' x 3/8"	76024B	85517	NA
85008-50A	82206	76600A	50' x 1/2"	76024A	85517	NA

Medium Pressure Reels & Assemblies

Basic Fluid Lubricant, Antifreeze & WW Fluid Assemblies* Less Hose End Control

Basic Reel	Bare Reel	Delivery Hose	Hose Size	Connecting Hose	Ball Stop	Control Valve
83463	82206	73240	20' x 1/2"	73024	85517	NA
83463-30	82206	73360	30' x 1/2"	73024	85517	NA
83464	82206	73480	40' x 1/2"	73024	85517	NA
83464-50	82206	73600	50' x 1/2"	73024	85517	NA
85009-50	82206	78600	50' x 5/8"	78024	84347	NA

Low Pressure Reels & Assemblies

Basic Air, Water* Less Hose End Control

85232	82206	72360	30' x 1/4"	72024	85515	NA
85002	82206	72480	40' x 1/4"	72024	85515	NA
85011	82206	72600	50' x 1/4"	72024	85515	NA
85002A	82206	72480A	40' x 3/8"	72024A	85516	NA
85001	82206	72600A	50' x 3/8"	72024A	85516	NA
85005	82206	74480	40' x 1/2"	74024	85517	NA
85010-50	82206	74600	50' x 1/2"	74024	85517	NA

* See pages 36 – 40 for meter, valve, or air coupler options for end of delivery hose.

Extra Heavy Duty Reels for Applications that Require High Product Flow and/or Longer Hose such as Service Trucks, Lube Trucks, Transit Facilities and Large Fleet Shops.



84275

Model 84275

Extra heavy duty dual reel sheave support base design and large hose capacity make this 1/2" (inlet/outlet) reel the ideal high pressure reel for grease, petroleum oils, air and water.



84432

Model 84672 & 84673

Extra heavy duty high flow design makes these 3/4" inlet/outlet reels perfect for petroleum oils, used fluid evacuation, air and water service.

Model 84432

Heavy duty dual reel sheave support base design and high flow swivel make this 1" inlet/outlet reel the ideal low pressure/volume reel. This reel is suitable for gasoline, diesel fuel, fuel oil, petroleum oil, used fluid evacuation, aircraft fuels, air and water.



84672

High Flow Reel Specifications

Model	Designation	SAE	HOSE CAPACITY		Inlet/Outlet NPTF	Working Pressure psi	Sheave Width	INSTALLATION	
			Type	Length				Width	Depth
84275	Extra heavy duty large capacity	100R1	78	75'	1/2"	5000	10"	13 1/8"	12 3/4"
		100R2	75/76A/76B	75'					
		100R3	73	75"					
84672	Extra heavy duty high flow	100R1	3/4"ID x 1 1/4"OD	30'	3/4"	2000	5 1/2"	9 15/16"	12 3/4"
		100R3	73	50'					
		100R6	74	50"					
84673	Large capacity	100R1	3/4"ID x 1 1/4"OD	75'	3/4"	2000	10"	14 1/2"	12 3/4"
		100R1	78	75'					
84432	Heavy duty volume	100R3	1"OD low pressure	50'	1"	300	8"	15 3/4"	24 1/4"



85515

Ball Stops

Lincoln Ball Stops are used to cushion and stop hose retraction.

Model	Description	Hose Type	OD
85515	Adjustable	72	5/8"
85516	Adjustable	72A & 74	11/16" - 23/32"
85517	Adjustable	73, 74, 76A & 76B	27/32" - 31/32"
84347	Adjustable	78	11/32"
84122	Adjustable	NA	13/4" - 17/8"
84257	Adjustable	NA	11/2" - 15/8"

Lincoln high, medium & low pressure hoses—every size for every application

High Pressure Hose—Grease

Model	Size	Hose Type/SAE	Inches		Thread	Max Pressure psi (bar)
			ID	OD		
75024	2'	75/100R2A	1/4	11/16	1/2"-27(f)	5000(340)
75060	5'	75/100R2A	1/4	11/16	1/2"-27(f)	5000(340)
75084	7'	75/100R2A	1/4	11/16	1/2"-27(f)	5000(340)
75120	10'	75/100R2A	1/4	11/16	1/2"-27(f)	5000(340)
75168	14'	75/100R2A	1/4	11/16	1/2"-27(f)	5000(340)
75240	20'	75/100R2A	1/4	11/16	1/2"-27(f)	5000(340)
75360	30'	75/100R2A	1/4	11/16	1/2"-27(f)	5000(340)
75480	40'	75/100R2A	1/4	11/16	1/2"-27(f)	5000(340)
75600	50'	75/100R2A	1/4	11/16	1/2"-27(f)	5000(340)
76024B	2'	76B/100R2	3/8	27/32	1/2"NPT(f)	4000(272)
76120B	10'	76B/100R2	3/8	27/32	1/2"NPT(f)	4000(272)
76360B	30'	76B/100R2	3/8	27/32	1/2"NPT(f)	4000(272)
76600B	50'	76B/100R2	3/8	27/32	1/2"NPT(f)	4000(272)
76900B	75'	76B/100R2	3/8	27/32	1/2"NPT(f)	4000(272)
76024A	2'	76B/100R2	1/2	27/32	1/2"NPT(f)	4000(272)
76600A	50'	76B/100R2	1/2	27/32	1/2"NPT(f)	4000(272)

Medium Pressure Hose—Oil, Gear Lube & Antifreeze

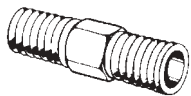
73024	2'	73/100R3	1/2	13/16	1/2"NPT(m)	1500(102)
73036	3'	73/100R3	1/2	13/16	1/2"NPT(m)	1500(102)
73060	5'	73/100R3	1/2	13/16	1/2"NPT(m)	1500(102)
73120	10'	73/100R3	1/2	13/16	1/2"NPT(m)	1500(102)
73240	20'	73/100R3	1/2	13/16	1/2"NPT(m)	1500(102)
73360	30'	73/100R3	1/2	13/16	1/2"NPT(m)	1500(102)
73480	40'	73/100R3	1/2	13/16	1/2"NPT(m)	1500(102)
73600	50'	73/100R3	1/2	13/16	1/2"NPT(m)	1500(102)
73900	75'	73/100R3	1/2	13/16	1/2"NPT(m)	1500(102)
1230120	10'	1230/100R2	3/4	1 1/4	3/4"NPT(m)	2250(153)

Low Pressure Hose—Air & Water

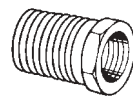
72024	2'	72/100R6	1/4	5/8	1/4"NPT(m)	250(17.01)
72036	3'	72/100R6	1/4	5/8	1/4"NPT(m)	250(17.01)
72060	5'	72/100R6	1/4	5/8	1/4"NPT(m)	250(17.01)
72120	10'	72/100R6	1/4	5/8	1/4"NPT(m)	250(17.01)
72240	20'	72/100R6	1/4	5/8	1/4"NPT(m)	250(17.01)
72480	40'	72/100R6	1/4	5/8	1/4"NPT(m)	250(17.01)
72600	50'	72/100R6	1/4	5/8	1/4"NPT(m)	250(17.01)
72024A	2'	72A/100R6	3/8	23/32	3/8"NPT(m)	250(17.01)
72360A	30'	72A/100R6	3/8	23/32	3/8"NPT(m)	250(17.01)
72480A	40'	72A/100R6	3/8	23/32	3/8"NPT(m)	250(17.01)
72600A	50'	72A/100R6	3/8	23/32	3/8"NPT(m)	250(17.01)
74024	2'	74/100R6	1/2	27/32	1/2"NPT(m)	200(13.61)
74060	5'	74/100R6	1/2	27/32	1/2"NPT(m)	200(13.61)
74480	40'	74/100R6	1/2	27/32	1/2"NPT(m)	200(13.61)
74600	50'	74/100R6	1/2	27/32	1/2"NPT(m)	200(13.61)

Hose Accessories *Nipples, Couplers & Bushings for Lincoln Grease Hose*

Nipples



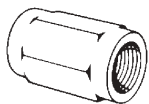
Model	Thread
10198	1/4" NPT(m) x 1/2"-27(m)
10199	1/8" NPT(m) x 1/2"-27(m)
10202	1/2"-27 NPT(m) x 1/2"-27(m)
12957	1/2" NPT(m) x 1/2"-27(m)



Reducing Couplings

11852	1/8" NPT(f) x 1/2"-27(f)
10522	1/4" NPT(f) x 1/2"-27(f)

Bushings



10200	1/8" NPT (f) x 1/2"-27(m)
10204	1/4" NPT(f) x 1/2"-27(m)
12287	1/2"-27(f) x 1/2" NPT(m)

Lincoln High Pressure Replacement Hose Cross Reference

Model	Original Threads	Replacement
Alemite	1/2"-27(f) x 1/2"-27(f)	Any Type 75 Hose
Aro	1/8" NPT(m) x 1/8" NPT(f)	Any Type 75 Hose, 10199 Nipple, 10200 Bushing
Balcrank	1/2"-27(f) x 1/2"-27(f)	Any Type 75 Hose
Graco	1/4" NPT(m) x 1/4" NPT(m)	Any Type 75 Hose, Two (2) 10198 Bushing

Lincoln Control Valves, Meters and Accessories Provide the Durability and Precision You Need for Your Lubrication Systems.



740

Model 740 Heavy Duty High-Pressure

- 7500 psi maximum operating pressure
- Precision-machined, all steel handle, body and guard bracket provides durability and longevity
- Unique, precision control inlet check valve provides ease of handle operation even with increase in pressure
- Knurled handle for positive grip
- Handy trigger guard prevents pinching
- Reversible inlet check seat and hydraulic jaws provide double life
- Balanced design reduces user fatigue
- Lubricant inlet 1/4" NPT(f); outlet 1/8" NPT(f)
- Easily repaired for extended life

Model 3050 Volume High-Pressure

Same as 740 except with 3/8" NPT(f) lubricant inlet for use with Lincoln volume high pressure swivels and hose.

Model 82157 Repair Parts Kit

For control valves 740 and 3050.

High Pressure Grease Control Valve

Model	Description	Thread Size	Extension	Coupler
740	Heavy Duty	1/4" NPT(f)	Rigid Tube	5845
3050	Volume	3/8" NPT(f)	Rigid Tube	5845

Model 85021 Kit

Consists of 740 control valve and 81387 universal "z" swivel.

WARNING

Whip Hoses Models
3029, 3034, 5812,
5818, 5861, 81725,
81726, 81795

Install as shown.

WARNING

For safe and proper use, always consult instructions accompanying product. See **Safety Warning Information** for appropriate warnings.

Swivels

Volume High Pressure Swivels

Model	Description	Thread Size
81728	Straight	1/2" NPT(m) x 3/8" NPT(m)
82071	Straight	1/2"-27 (m) x 1/2" NPT(m)
82072	Straight	1/2" NPT(m) x 1/2" NPT(m)
82087	90° Angle	1/2" NPT(m) x 1/2" NPT(m)
81729	Universal	1/2" NPT(m) x 3/8" NPT(m)
82073	Universal	1/2" NPT(m) x 1/2" NPT(m)

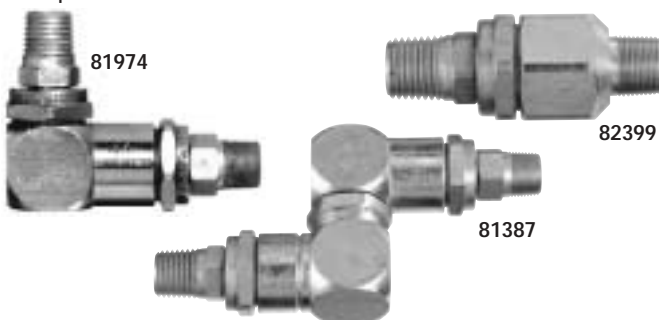
High Pressure Swivels

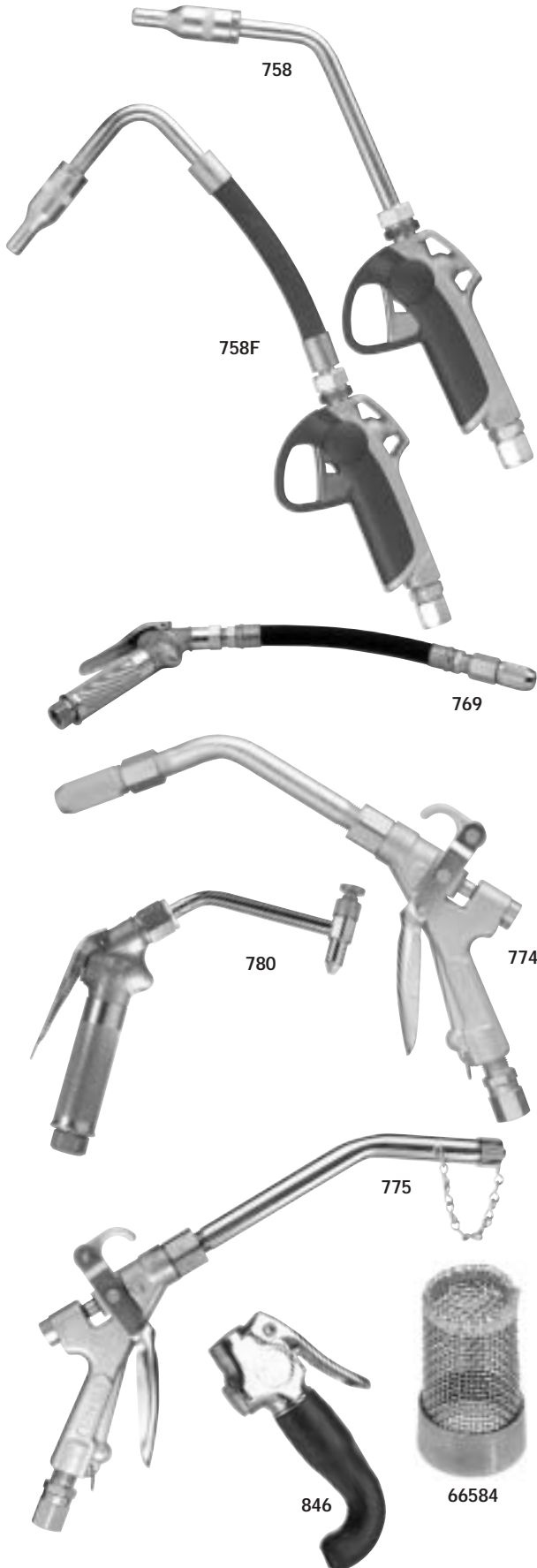
Model	Description	Thread Size
*81606	Straight	1/8" NPT(f) x 1/8" NPT(m)
*81703	Straight	1/8" NPT(m) x 1/8" NPT(m)
82080	Straight	1/2"-27 (m) x 1/2"-27 (m)
82399	Straight	1/2"-27 (m) x 1/4" NPT(m)
81386	90° Angle	1/2"-27 (m) x 1/8" NPT(m)
81723	90° Angle	1/8" NPT(m) x 1/8" NPT(f)
81974	90° Angle	1/2"-27 (m) x 1/4" NPT(m)
82251	90° Angle	1/8" NPT(m) x 1/8" NPT(m)
81387	Universal	1/2"-27 (m) x 1/4" NPT(m)
82252	Universal	1/8" NPT(m) x 1/8" NPT(m)
83594	Universal	1/4" NPT(m) x 1/4" NPT(m)
83938	Straight	1/4" NPT(m) x 1/4" NPT(m)

*Whip Hose only; max. pressure 4500psi

Model 82158 Repair Kit

Repair Parts Kit for 81387 standard universal swivel.





Heavy Duty Fluid Control Valves

These new fluid control valves provide all the benefits of the latest design technology, and offer all the features and components for a low-cost solution for your fluid dispensing needs.

- Rugged aluminum construction
- Dispenses all automotive fluids: motor oils, gear oils, transmission fluid and antifreeze
- All indoor and outdoor applications

Model 780

Gear oil shut-off valve for use with fluid lubricant pumps. Includes shut-off valve with built-in swivel and 82070 non-drip nozzle extension. Inlet 1/2" NPT(f).

Model 769

Includes 780 valve with built-in swivel, flexible extension and 91392 nozzle.

Model 758

Includes 260381 rigid extension. Inlet/outlet 1/2" NPT(f). Can be locked in open position for continuous dispensing. Trigger guard prevents accidental dispensing.

Model 758F

Same as 758 except with 260380 flexible extension.

Heavy Duty Volume

Model 774

Includes 82906 shut-off valve and 242503 pipe extension and 91392 automatic nozzle.

Model 775

Includes 82906 shut-off valve and 82932 rigid extension nozzle.

Model 776

Includes 82906 shut-off valve and 12" flexible hose and 91392 non-drip nozzle with manual shut-off.

Oil Control Valves

Model	Description	Inlet Thread Size	Extension	Nozzle
780	Gear Oil	1/2 NPT(f)	Rigid Pipe	82070
758	STD Volume	1/2 NPT(f)	Rigid Assembly	260381
758F	STD Volume	1/2 NPT(f)	Flex Assembly	260380
774	HD Volume	1/2 NPT(f)	Rigid Pipe	91392
775	HD Volume	1/2 NPT(f)	Rigid Pipe	82932
776	HD Volume	1/2 NPT(f)	Flex Hose	91392

Model 66584 Strainer

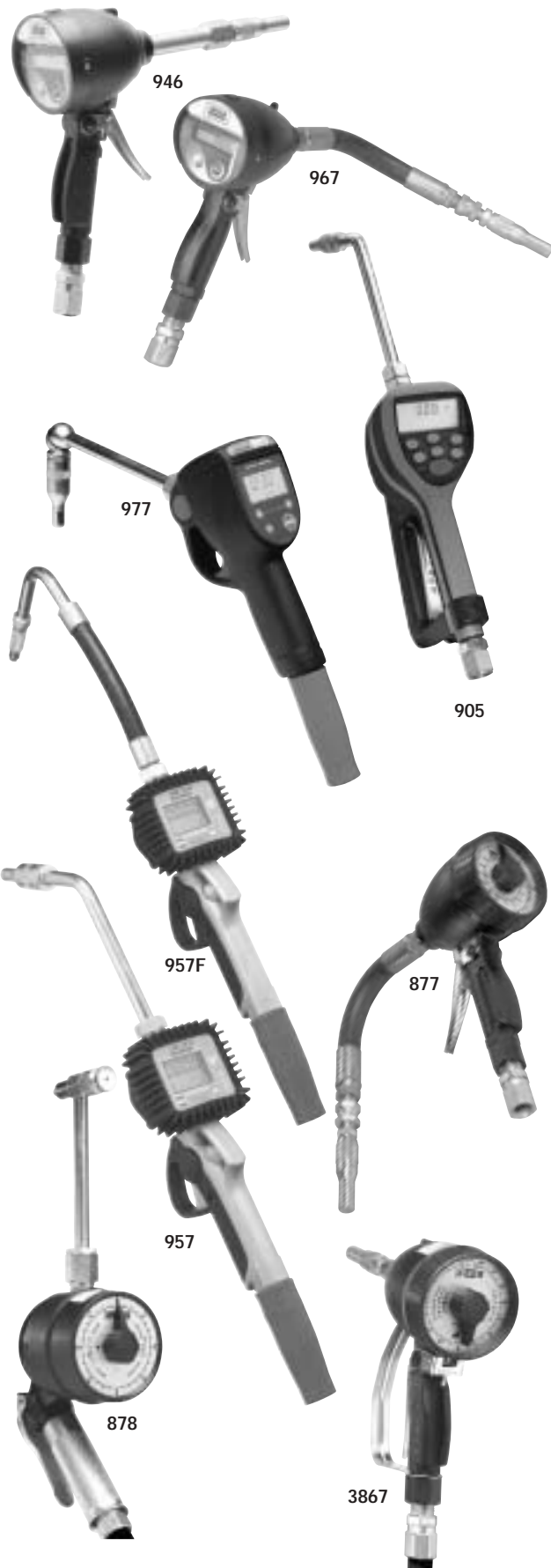
For use with 775, 776, 82906. #30 mesh, 9/16" OD.

Air & Water Accessories

Model 846 Water Bibb Cock

For attaching to water service hose.

- 1/4" NPT(f) inlet.
- Thumb-action trigger. Built-in strainer filters out contaminants.



Electronic Lube Meters

Features

- Dispense motor oil, ATF, and gear lube
- One model can dispense pints, quarts, liters or gallons
- Automatic non-drip nozzle
- Narrow nozzle fits into small I.D. ATF fill tubes
- Easy to read digital display for accurate bulk dispensing
- .01 increment readout for precise measurement
- Includes inline swivel, rigid extension, automatic non-drip nozzle and inline containment filter
- Two year limited warranty

Electronic Lube Meters

Totalizing liters or gallons. 1/2" NPT(f).

Model	Lock-On/Lock-Open	Extension	psi	gpm
905	Rigid/ 70°/Auto nozzle	Yes	1000	5.0*
946	Rigid w/ 85799 nozzle	Yes	1500	4.0
967	Flexible w/ 84799 nozzle	Yes	1500	4.0
977	Rigid/45°swivel/Auto nozzle	Yes	1015	5.0*
978**	Rigid/45°swivel/Auto nozzle	Yes	1015	5.0*

*7.9 gpm without nondrip nozzle.

** Models 905 and 978 offer preset mode

Digital Mechanical Lube Meters—NEW

New value-priced control valves include large digital display, shroud protector and trigger guard. 1/2" NPT(f) inlet swivel. Flexible manual nozzle or rigid auto nozzle extensions.

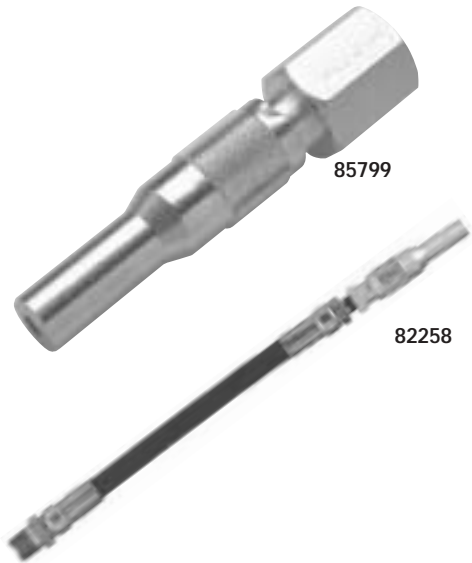
Model	Measure	Extension	psi	gpm
957	quarts	Rigid w/ auto nozzle	1000	5.0
957F	quarts	Flexible w/ manual nozzle	1000	5.0

Mechanical Lube Meters

Totalizing meters. 3 1/2" diameter, inlet/outlet 1/2" NPT(f).

Model	Dial Totals	Graduation	Extension	psi	gpm
Oils, ATF and Antifreeze					
867*	16 gallons	1/16 gallon	10" flex w/ 84799	1000	4.0
876*	16 quarts	1/4 quart	4" rigid w/ 93548	1000	4.0
877*	16 quarts	1/4 quart	10" flex w/ 84799	1000	4.0
883*	16 quarts	1/4 quart	20" flex w/ 84799	1000	4.0
68410	16 quarts	1/4 quart	None	1000	4.0
899*	10 liters	1/10 liter	10" flex w/ 84799	1000	4.0
Gear Lube					
878	8 pints	1/16 gallon	7" rigid w/ nozzle	1000	4.0
881	10 liters	1/4 quart	7" rigid w/ nozzle	1000	4.0
Pre-set Countdown for Oils, ATF and Antifreeze					
3866*	16 quarts/10 liters	1/16 gallon	Rigid w/ 93548	1000	4.0
3867*	60 quarts	1/4 quart	Rigid w/ 93548	1000	4.0
3868*	60 gallons	1/4 quart	Rigid w/ 93548	1000	4.0
3942*	60 liters	1/10 liter	Rigid w/ 93548	1000	4.0

*Includes 90464 swivel.



Non-Drip Nozzles & Assemblies

Model 93547 Nozzle

1/4" NPT(F) inlet automatic non-drip nozzle with manual closure feature.

Model 93548 Nozzle

Same as 93547 with 1/2" NPT(m) inlet.

Model 84799 Nozzle

Packaged version of 93547.

Model 85799 Nozzle

Same as 84799 with 1/2" NPT (f) inlet.

Model 91392 Nozzle

1/2" NPT(f), features manual shut-off.

Model 82258 Assembly

1/2" x 1/4" NPT(m), 10" hose 91241 and nozzle 93547.



Electronic Meter Accessories

Model 260379

Rigid extension outlet with patented 45° swivel for versatile fluid dispensing.

Model 260380

Flexible extension with non-drip valve for fluid dispensing in hard to reach areas.

Model 260381

Rigid extension with non-drip valve.

Colored Swivel Guards

Attach these flexible swivel guards to separate meters to differentiate between fluids. Available in red, black, blue, yellow and green.



Meter Accessories

Model 242911 Shroud Protector

Universal shock protector for all 3 1/2" diameter Lincoln electronic lube meters. Heavy-duty rubber cover fits easily over meter face. Order as separate accessory.

Model 90464 Swivel

Straight oil meter swivel, 1/2"NPT(m) x 1/2"NPT(f).





840

Blow Guns

Model 840

- Handy thumb-button design provides ease of operation
- Brass stem and synthetic packaging for service life
- Addition of air nipple permits quick connect or disconnect
- Inlet 1/4" NPT(f); outlet 7/64" diameter



960

Model 950

- Same as 840, except with air restricter
- Nozzle inlet pressure 30 psi maximum complies with Federal Safety Regulation 50-204.8 and OSHA 1910 242.B.

Model 960

- Light-weight cast aluminum pistol grip
- Inlet 1/4" NPT(f); outlet 7/64" diameter; height 5 3/4"
- Nozzle inlet pressure 30 psi maximum complies with Federal Safety Regulation 50-204.8 and OSHA 1910 242.B.



5980

Model 940

- Same as 960 less air restricter
- When used for large cleaning requirement or chip cleaning, regulated air pressure must not exceed Federal recommended maximum.

Model 5980

- Thumb control provides comfort and ease of operation
- Inlet 1/4" NPT(f); outlet 1/8" NPT(f) outlet

Adjustable Pocket Blow Gun

Model 5982 Lincoln Style

- Built-in quick-coupler nipple; 1/4" coupler connection
- Twist turn off and on
- Standard safety by-pass



5982

Model 5990 Rubber Tip for Blow Guns

- Rubber tip will not scratch surfaces.
- Fits 840, 940 and 5980 blow guns, as well as many competitive models.
- 1/8" NPT(m) threads.



5990

Air & Water Accessories

Model 846 Water Bibb Cock

For attaching to water service hose.

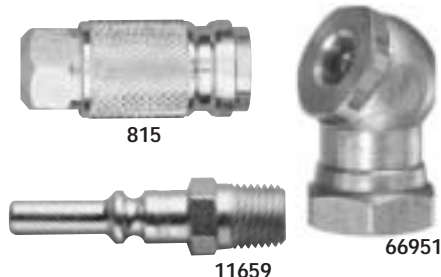
- 1/4" NPT(f) inlet.
- Thumb-action trigger. Built-in strainer filters out contaminants.



846

Model 845 Water Bibb Cock

Same as 846 except inlet 3/4"-1 1/2" AN connects to standard lawn hose.



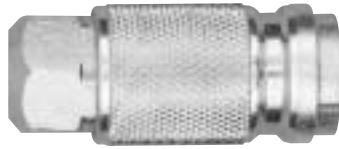
815

11659

66951

Air/Water Accessories

Model	Description	Style
845	Inlet 3/4" -1 1/2" AN	Connects to standard lawn hose
846	1/4"(f) Water Bibb Cock	Low pressure water
815	1/4"(f) Air Coupler	Lincoln "Long Stem"
11659	1/4"(m) Air Nipple	Lincoln "Long Stem"
66951	1/4"(f) Tire Chuck	Standard tire chuck



815



815 Cut-away



11659 1/4" (m) 11660 1/8" (m)



11661 1/4" (f)



13329 1/4" (f)



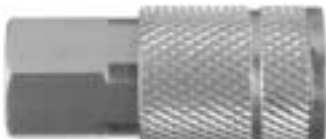
13331 1/4" (f)



5872 1/4" (m)



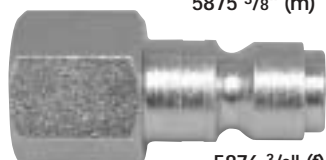
5873 1/4" (f)



5874 3/8" (f)



5875 3/8" (m)



5876 3/8" (f)

Coupler and nipple can be joined without user pulling back on sleeve.

A true quick-connect design!

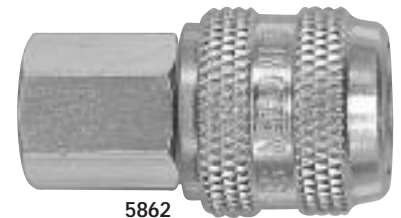
Lincoln Style Couplers & Nipples for 1/4" ID Models 815, 11659, 11660, 11661

250 psi maximum operating pressure. 1/4" NPT(f) inlet. Extra-long stem of nipple and coupler body assures long service life, easy connections under severe operating conditions. Maximum air flow 52 scfm at 100 psi. Length 2 1/2" (65mm); diameter 1 1/16" (37mm); weight 4 1/2" ounces (126g).

- Positive action locking mechanism so coupler cannot be detached accidentally.
- Extra large air passage insures greater air flow.
- Automatic air check valve shuts off air instantly when uncoupled, providing leak-proof seal.
- Corrosion-resistant steel plug and stainless steel check and check spring for long service life.
- Free swiveling action prevents curling or kinking of air hose.

Universal Coupler Model 5862

Fits all Automotive/Tru-Flate, ARO, and Industrial/Milton style nipples for 1/4" ID hose 300 psi maximum operating pressure. 1/4" (f) NPT inlet. Maximum airflow 38 scfm at 100 psi. Length 2"; diameter 1 1/8"; weight 4 ounces.



5862

Coupler and nipple can be joined without user pulling back on sleeve.

A true quick-connect design!

ARO Style Couplers & Nipples for 1/4" ID Models 5862, 13329, 13331

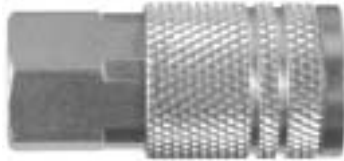
Fits ARO style nipples for 1/4" ID hose. 300 psi maximum operating pressure. 1/4" (f) NPT inlet. Maximum airflow 38 scfm at 100 psi. Length 2"; diameter 1 1/8"; weight 4 ounces.

Automotive/Tru-Flate Style Couplers & Nipples for 1/4" ID Models 5862, 5872, 5873

300 psi maximum operating pressure. Maximum air flow 40 scfm at 100 psi. Length male 2 3/8", female 2"; diameter 7/8"; weight 3.2 ounces.

Automotive/Tru-Flate Style Couplers & Nipples for 3/8" ID Models 5874, 5875, 5876

300 psi maximum operating pressure. Maximum air flow 100 scfm at 100 psi. Length 2 3/8"; diameter 1"; weight 4.8 ounces.



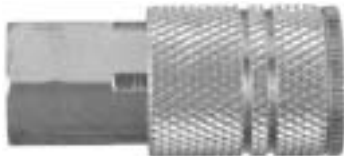
632004 1/4" (f)



630104 1/4" (m)



630204 1/4" (f)



642006 3/8" (f)



640104 1/4" (m)



640204 1/4" (f)



652008 1/2" (f)



650108 1/2" (m)



650208 1/2" (f)

KEY—How to Identify Model Desired

xx	x	x	xx
Series	O = nipple 2 = coupler	1 = male 2 = Female	thread size IN 1/16"

Industrial/Milton Style Couplers & Nipples for 1/4" ID (63 Series)

Models 632004, 630104, 630204

Maximum operating pressure 250 psi (17 bar). Maximum air flow 45 scfm at 100 psi. Length 1 3/4" (44mm); diameter 1 1/8" (29mm); weight 3 ounces (84g).

Industrial Style Couplers & Nipples for 3/8" ID (64 Series)

Models 642006, 640104, 640204, 640106, 640206

Maximum operating pressure 250 psi. Maximum air flow 108 scfm at 100 psi. Length 2 1/16" (52mm); diameter 1 5/16" (49mm); weight 6 ounces (168g).

Industrial Style Couplers & Nipples for 1/2" ID (65 Series)

Models 652008, 650108, 650208

Maximum operating pressure 200 psi (14 bar). Maximum air flow 176 scfm at 100 psi. Length 2 3/4" (70mm); diameter 1 1/2" (38mm); weight 9 ounces (252g).



939



5983

Air Operated Sprayers

Model 939

- Adjustable suction control varies fluid volume as needed.
- Strainer assembly in suction hose keeps out contaminants while assuring uninterrupted flow of fluid.
- 6' vinyl suction hose permits use with most any container from gallon jug to 400 lb. drum.
- Convenient addition of air coupler nipple permits quick coupling to any air hose.
- Rust and corrosion resistant—pistol grip handle includes brass stem and synthetic packing.
- Use with solvents or detergent solutions. Compatible with vinyl, aluminum and carbon steel.
- Standard air inlet 1/4" NPT(f).
- Powerful spray. Maximum operating pressure 200 psi.

Model 5983

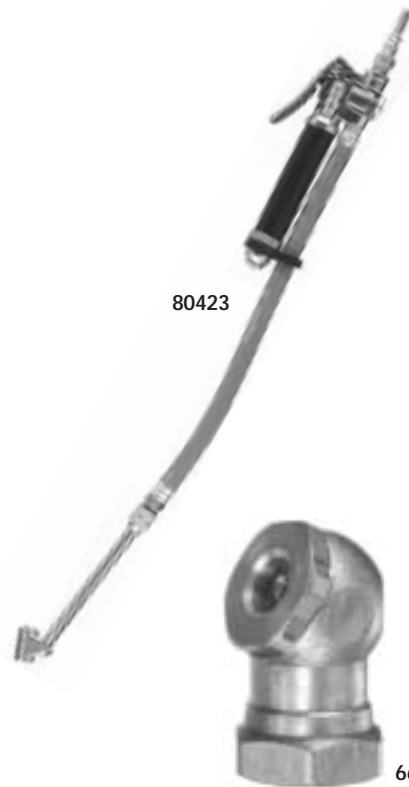
- Use with solvents or detergent solutions.
- 1/4" NPT(f) inlet.
- Maximum operating pressure 150 psi.

Tire Accessories

Model 80423 Tire Inflator

- 12" hose extension provides extra reach capacity.
- Tapered chuck nut allows inflator to fit wheel covers on cars and light trucks.
- Dual chuck permits use of gauge on trucks with dual tires.
- Includes 11659 nipple for use with 815 coupler. 200 psi maximum inlet pressure. 0-120 psi scale in 2 psi graduations.

80423



66951

Model 66951 Air Chuck

For inflating tire. 1/4" NPT(f) inlet.

Self-Coiling Air Hose

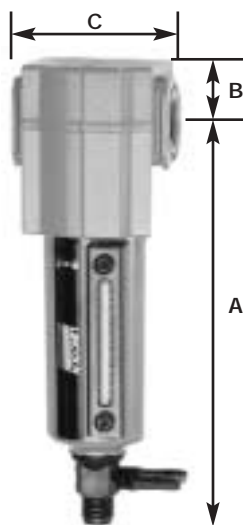
Model 84606

- Tough abrasive resistant material provides long service life.
- Coiled spring guards prevent kinking.
- 1/4" I.D. x 25' long—extra length for those hard to reach places.
- Working pressures up to 200 psi.
1/4" NPT(m) fittings each end.

Note: Blowguns on page 40.



84606

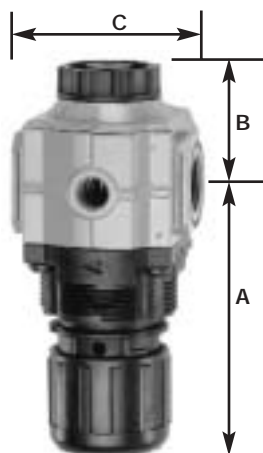


Modular Air Line Filters

Model No.	Max. Air Supply psi / bar	Operating Temperature Range - F / C	Material of Construction		Element	
			Body	Bowl	Material	Particle Size
602104	250	0 to 150	Zinc	Zinc*	Sintered Polypropylene	40 μ
602106		-18 to 65				
602108	17	0 to 175	Aluminum	Aluminum*		
602109		-18 to 79				

* Transparent nylon liquid level indicator lens.

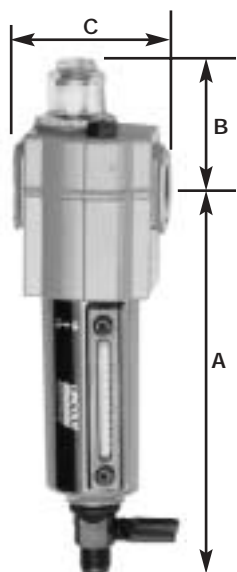
Model No.	Drain Type	Port Size PTF	Dimensions - in. / mm				Weight lbs. / kg
			A	B	C	Dia.	
602104	Manual	¼	5.27	0.75	1.98	1.91	1.1
602106		⅜	134	19	50	48	0.5
602108		½	6.95 / 177	1.00	3.15	2.89	1.8
602109	Automatic	½	6.35 / 161	25	80	74	0.8



Modular Air Line Regulators

Model No.	Max. Air Supply psi / bar	Operating Temperature Range - F / C	Material of Construction				Secondary (Gauge) Connections (in.)
			Body	Bonnet	Valve Seals	Bottom Plug	
602004	300	0 to 150 -18 to 65	Zinc	Acetal	Brass Nitrile	Acetal	¼ NPT (F)
602005							
602006							
602007	20	0 to 175 -18 to 79	Aluminum	Aluminum			¼ NPT (F)
602008							
602009							

Model No.	Outlet Press. Adj. Range psi / bar	Connections NPT-Female (in.)	Dimensions - in. / mm				Adjuster	Weight lbs. / kg
			A	B	C	D		
602004	5 to 150	¼	4.0 / 102	1.31	2.0	3.2	T-Handle	0.8
602005			2.88 / 73					
602006	0.3 to 4	⅜	4.0 / 102	33	50	83	T-Handle	
602007			2.88 / 73				Knob	
602008	10 to 250 0.7 to 16	½	5.95 151	1.69	3.15	5.1	T-Handle	1.77
602009	5 to 150 0.3 to 4		5.0 127				43	

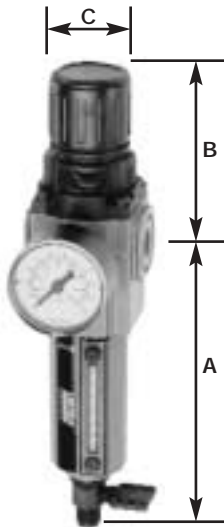


Modular Air Line Lubricators

Model No.	Max. Air Supply psi / bar	Operating Temperature Range - F / C	Material of Construction			Recommended Lubricants
			Body	Bowl	Sight feed Dome	
602204	250	0 to 150	Zinc	Zinc*	Transp Nylon	Misting type oil 50 to 200 SSU (ISO Grade 7 to 46) at 100°F (38°C)
602206		-18 to 65				
602208	17.2	0 to 175	Aluminum	Aluminum*		
		-18 to 79				

* Transparent nylon liquid level indicator lens.

Model No.	Connections NPT-Female	Bowl Capacity ozs. / ml	Dimensions - in. / mm				Weight lbs. / kg
			A	B	C	D	
602204	¼	2.0	5.27	1.63	1.98	1.91	1.1
602206	⅜	58	134	41	50	48	0.5
602208	½	7.0	6.95	2.12	3.15	2.89	1.6
		207	177	53	80	74	0.7

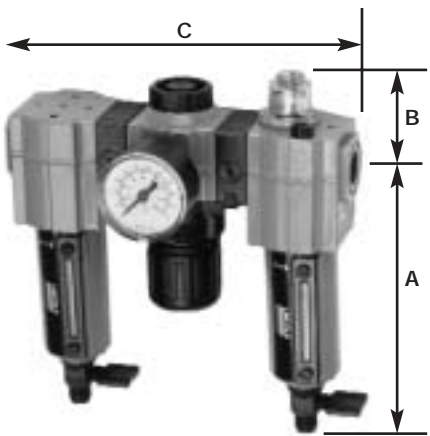


Integrated/Modular Filter/Regulator with Gauge

Can be used with other AirCare Modular Components.

Model No.	Max. Air Supply psi / bar	Operating Temperature Range - F / C	Element Particle Size	Outlet Pressure Adj. Range psi / bar
602134	250 17	0 to 150	40μ	5 to 150 0.3 to 10
602136		-18 to 65		
602138		0.3 to 10 -18 to 79		

Model No.	Drain Type	Port Size PTF	Dimensions - in. / mm				Weight lbs. / kg
			A	B	C	D	
602134	Manual	¼	5.27	2.89	1.98	3.29	1.2
602136		¾	134	73	50	83	0.5
602138		½	6.95 177	4.98 127	3.15 80	5.10 130	2.6 1.2



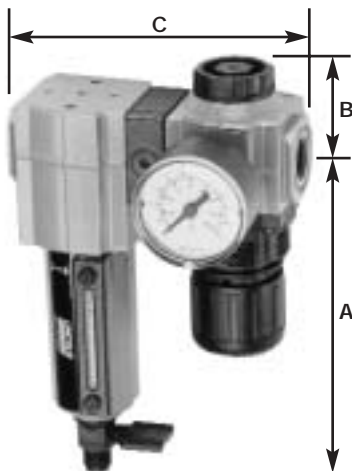
Modular Air Line Combination Units

Filter-Regulator with Gauge-Lubricator

Model No.	Max. Air Supply psi / bar	Operating Temperature Range - F / C	Element Particle Size	Outlet Pressure Adj. Range psi / bar	Lubricator Bowl Capacity ozs. / ml
85387-4	250 17	0 to 150	40μ	5 to 150 0.3 to 10	2.0
85387-6		-18 to 65			58
85387-8		0 to 175 / -18 to 79			7.0 / 207

* Transparent nylon liquid level indicator lens.

Model No.	Drain Type	Port Size PTF	Dimensions - in. / mm			Weight lbs. / kg
			A	B	C	
85387-4	Manual	¼	5.27	1.63	6.46	3.3
85387-6		¾	134	41	164	1.5
85387-8		½	6.95 / 177	2.12 / 53	10.52 / 267	6.2 / 2.8



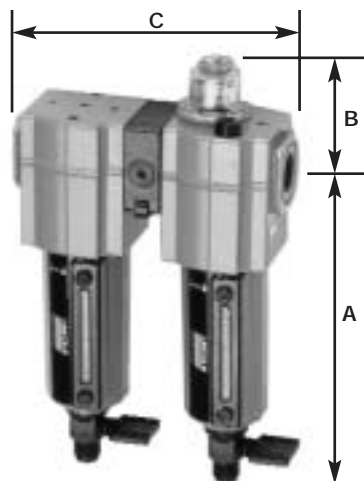
Modular Air Line Combination Units

Filter-Regulator with Gauge

Model No.	Max. Air Supply psi / bar	Operating Temperature Range - F / C	Element Particle Size	Outlet Pressure Adj. Range psi / bar
85388-4	250 17	0 to 150	40μ	5 to 150 0.3 to 10
85388-6		-18 to 65		
85388-8		0 to 175 / -18 to 79		

* Transparent nylon liquid level indicator lens.

Model No.	Drain Type	Port Size PTF	Dimensions - in. / mm			Weight lbs. / kg
			A	B	C	
85388-4	Manual	¼	5.27	1.31	4.22	2.1
85388-6		¾	134	33	108	1.0
85388-8		½	6.95 / 177	1.69 / 43	6.84 / 174	4.2 / 2.0

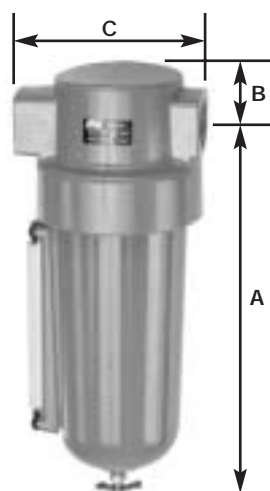


Modular Air Line Combination Units Filter-Lubricator

Model No.	Max. Air Supply psi / bar	Operating Temperature Range - F / C	Element Particle Size	Lubricator Bowl Capacity ozs. / ml
85389-4	250	0 to 150	40µ	2.0
85389-6		-18 to 65		58
85389-8	17	0 to 175 / -18 to 79		7.0 / 207

* Transparent nylon liquid level indicator lens.

Model No.	Drain Type	Port Size PTF	Dimensions - in. / mm			Weight lbs. / kg
			A	B	C	
85389-4	Manual	¼	5.27	1.63	4.22	2.1
85389-6		¾	134	41	50	1.0
85389-8		½	6.95 / 177	2.12 / 53	6.84 / 174	3.8 / 1.7

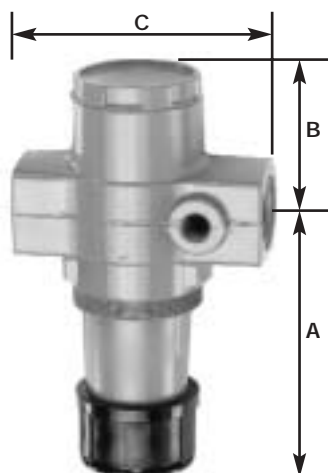


High Capacity Air Line Filters

Model No.	Max. Air Supply psi / bar	Operating Temperature Range - F / C	Material of Construction		Element	
			Body	Bowl	Material	Particle Size
602112	250	0 to 175 -18 to 79	Aluminum	Aluminum* w/ Pyrex sight glass	Sintered bronze	50µ
602113						
602116						
602117						

* Pyrex liquid level indicator.

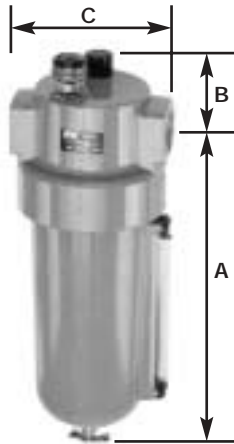
Model No.	Drain Type	Port Size PTF	Dimensions - in. / mm				Weight lbs. / kg
			A	B	C	Dia.	
602112	Manual	¾	10.44 / 265	1.25	4.75	5.52	4.1
602113	Automatic		10.06 / 256				
602116	Manual	1	10.44 / 265	32	121	140	
602117	Automatic		10.06 / 256				



High Capacity Air Line Regulators

Model No.	Max. Air Supply psi / bar	Operating Temperature Range - F / C	Material of Construction				Secondary (Gauge) Connections (in.)
			Body	Bonnet	Valve Seals	Bottom Plug	
602012	300	0 to 175 -18 to 79	Aluminum	Aluminum	Aluminum Nitrile	Aluminum	¼ NPT (F)
602013							
602016							

Model No.	Outlet Press. Adj. Range psi / bar	Connections NPT-Female in.	Dimensions - in. / mm				Adjuster	Weight lbs. / kg
			A	B	C	D		
602012	10 to 250 / 0.7 to 16	¾	5.69 / 145	2.38	4.25	2.38	60	T-Handle
602013	5 to 150 / 0.3 to 10		4.71 / 120					Knob
602016	10 to 250 / 0.7 to 16	1	5.69 / 145					T-Handle

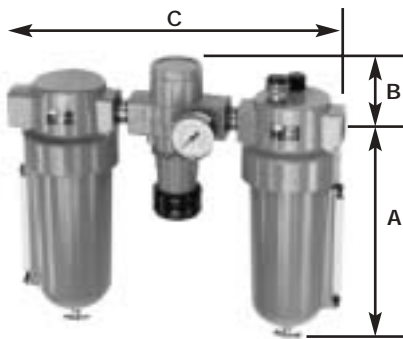


High Capacity Air Line Lubricators

Model No.	Max. Air Supply psi / bar	Operating Temperature Range - F / C	Material of Construction			Recommended Lubricants
			Body	Bowl	Sight feed Dome	
602212	250	0 to 175	Aluminum	Aluminum*	Transp. Nylon	Misting type oil 50 to 200 SSU (ISO Grade 7 to 46) at 100°F (38°C)
602216	17.2	-18 to 79				

* Pyrex liquid level indicator.

Model No.	Connections NPT-Female	Bowl Capacity ozs. / ml	Dimensions - in. / mm				Weight lbs. / kg
			A	B	C	Dia.	
602212	3/4	32	10.24	2.22	4.50	5.52	3.6
602216	1	946	260	56	114	140	1.6



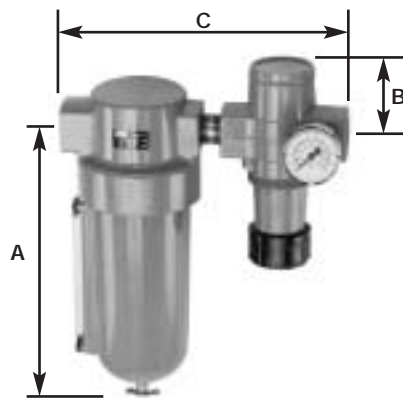
High Capacity Air Line Combination Units

High Capacity Filter-Regulator with Gauge-Lubricator

Model No.	Max. Air Supply psi / bar	Operating Temperature Range - F / C	Element Particle Size	Outlet Pressure Adj. Range psi / bar	Lubricator Bowl Capacity ozs. / ml
85387-12	250	0 to 175	50μ	5 to 125	32
85387-16	17	-18 to 79		0.3 to 8.6	946

* Pyrex liquid level indicator.

Model No.	Drain Type	Port Size PTF	Dimensions - in. / mm			Weight lbs. / kg
			A	B	C	
85387-12	Manual	3/4	10.44	2.22	14.75	10.6
85387-16		1	265	56	375	4.8



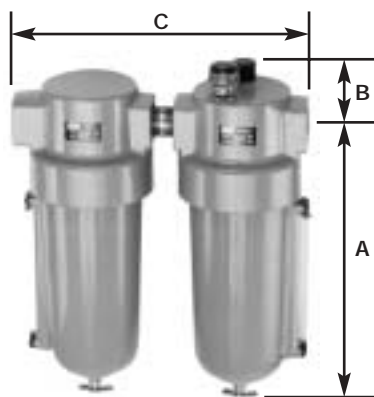
High Capacity Air Line Combination Units

Filter-Regulator with Gauge

Model No.	Max. Air Supply psi / bar	Operating Temperature Range - F / C	Element Particle Size	Outlet Pressure Adj. Range psi / bar
85388-12	250	0 to 175	50μ	5 to 125
	17	-18 to 79		0.3 to 8.6

* Pyrex liquid level indicator.

Model No.	Drain Type	Port Size PTF	Dimensions - in. / mm				Weight lbs. / kg
			A	B	C	Dia.	
85388-12	Manual	3/4	10.44	2.38	10	5.52	6.9
		265	60	254	140	3.1	



High Capacity Air Line Combination Units

Filter-Lubricator

Model No.	Max. Air Supply psi / bar	Operating Temperature Range - F / C	Element Particle Size	Lubricator Bowl Capacity ozs. / ml
85389-12	250	0 to 175	50μ	32
85389-16	17	-18 to 79		946

* Pyrex liquid level indicator.

Model No.	Drain Type	Port Size PTF	Dimensions - in. / mm				Weight lbs. kg
			A	B	C	Dia.	
85389-12	Manual	3/4	10.44	2.22	10.25	5.52	7.8
85389-16		1	265	56	260	140	3.5



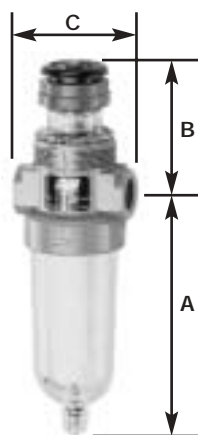
Miniature Air Line Components—Air Line Filter

Model No.	Max. Air Supply psi / bar	Operating Temperature Range - F / C	Material of Construction		Element		
			Body	Bowl	Material	Particle Size	
602103	150 10.3	0 to 125 -18 to 52	Zinc	Polycarbonate	Porous Polypropylene	50µ	
Model No.	Drain Type	Port Size PTF	Dimensions - in. / mm				Weight lbs. / kg
			A	B	C	Dia.	
602103	Manual	¼	3.25 / 83	0.38 / 10	1.63 / 42	1.45 / 37	0.3 / 0.12



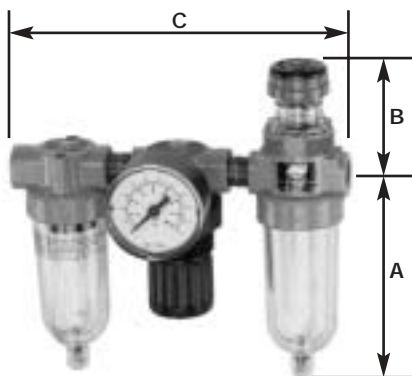
Miniature Air Line Components—Air Line Regulator

Model No.	Max. Air Supply psi / bar	Operating Temperature Range - F / C	Material of Construction				Secondary (Gauge) Connections-in.	
			Body	Bonnet	Valve Seals	Bottom Plug		
602003	300 / 20	0 to 150 -18 to 65	Zinc	Acetal	Brass/ Nitrile	Acetal	½ NPT (F)	
Model No.	Outlet Press. Adj. Range psi / bar	Connections NPT-Female in.	Dimensions - in. / mm				Adjuster	Weight lbs. / kg
			A	B	C	D		
602003	5 to 100 0.3 to 6.9	¼	2.52 64	0.39 10	1.63 41	1.45 37	Knob	0.3 0.13



Miniature Air Line Components—Air Line Lubricator

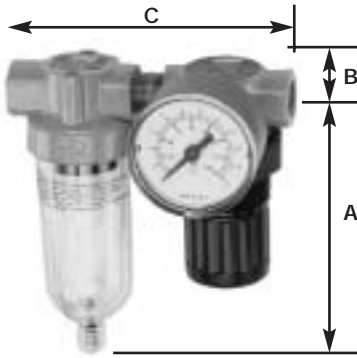
Model No.	Max. Air Supply psi / bar	Operating Temperature Range - F / C	Material of Construction			Recommended Lubricants	
			Body	Bowl	Sight feed Dome		
602203	150 10.3	0 to 125 -18 to 52	Aluminum	Poly-carbonate	Transp. Nylon	Misting type oil 50 to 200 SSU (ISO Grade 7 to 46) at 100°F / 38°C	
Model No.	Connections NPT-Female in.	Bowl Capacity ozs. / ml	Dimensions - in. / mm				Weight lbs. / kg
			A	B	C	Dia.	
602203	¼	1.0 / 30	3.25 / 83	1.98 / 50	1.63 / 41	1.45 / 37	0.3 / 0.13



Miniature Air Line Combination Units

Filter-Regulator with Gauge-Lubricator

Model No.	Max. Air Supply psi / bar	Operating Temperature Range - F / C	Element Particle Size	Outlet Pressure Adj. Range psi / bar	Lubricator Bowl Capacity ozs. / ml		
85672	150 / 10.3	0 to 150 / -18 to 65	50µ	5 to 100 / 0.3 to 6.9	1.0 / 30		
Model No.	Drain Type	Port Size PTF	Dimensions - in. / mm				Weight lbs. / kg
			A	B	C	Dia.	
85672	Manual	¼	3.25 / 83	1.98 / 50	5.61 / 143	1.45 / 37	1.3 / 0.6



Miniature Air Line Combination Units

Filter-Regulator with Gauge

Model No.	Max. Air Supply psi / bar	Operating Temperature Range - F / C	Element Particle Size	Outlet Pressure Adj. Range psi / bar			
85673	150 / 10.3	0 to 125 / -18 to 52	5µ	5 to 100 / 0.3 to 6.9			
Model No.	Drain Type	Port Size PTF	Dimensions - in. / mm				Weight lbs. / kg
			A	B	C	Dia.	
85673	Manual	¼	3.25 / 83	0.38 / 10	3.66 / 93	1.45 / 37	0.9 / 0.4



Miniature Air Line Combination Units

Filter-Lubricator

Model No.	Max. Air Supply psi / bar	Operating Temperature Range - F / C	Element Particle Size	Lubricator Bowl Capacity ozs. / ml			
85674	150 / 10.3	0 to 125 / -18 to 52	5µ	1.0 / 30			
Model No.	Drain Type	Port Size PTF	Dimensions - in. / mm				Weight lbs. / kg
			A	B	C	Dia.	
85674	Manual	¼	3.25 / 83	1.98 / 50	3.66 / 93	1.45 / 37	0.9 / 0.4

Modular Air Line Equipment Accessories— Lockout Valve

Install in-line or modular with other AirCare products to help conform to OSHA Lockout Regulations. In the closed position, valves block inlet air flow and exhaust downstream air.



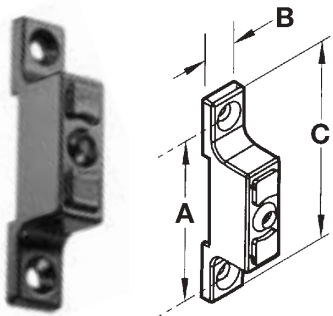
Model No.	For Modular use with	For In-Line use with	Max. Air Supply psi / bar	Operating Temperature Range-F / C
247770	¼" Modular	¼"	250	0 to 150
247771	⅜" Modular	⅜"		
247772	½" Modular	½"	17	-20 to 65

Modular Air Line Equipment Accessories— Quick Clamp

Use with Modular Air Line Components to provide modular installation capability. Flanges on the products slide into "V" grooves in the quick clamp. Two face-sealing o-rings in the quick clamp provide an air tight connection when the clamp is closed.



Model No.	For Modular Sizes	Dimensions in. / mm
247782	¼" and ⅜"	1.50 / 38
247783	½" and ¾"	2.00 / 51



Modular Air Line Equipment Accessories— Quick Clamp Wall Mounting Bracket

Use with quick clamp to provide secure mounting to a wall, machine panel, or other flat surface.

Model No.	For Modular Sizes	Dimensions in. / mm		
		A	B	C
247792	1/4" and 3/8"	2.32 / 59	0.55 / 14	2.91 / 74
247793	1/2" and 3/4"	3.25 / 83	0.95 / 24	4.0 / 102



Modular Air Line Equipment Accessories— Porting Block

Installs between the quick clamps to provide three additional 1/4" outlets for auxiliary air.

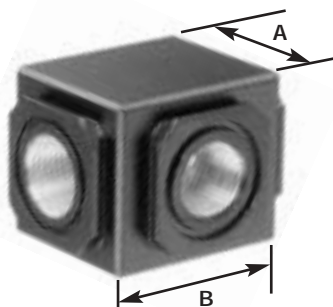
Model No.	For Modular Sizes
247784	1/4" and 3/8"
247785	1/2" and 3/4"



Modular Air Line Equipment Accessories— Quick Mount Pipe Adaptors

Use with quick clamp to provide threaded connections to the system piping.

Model No.	For Modular use with	Port Size - in.
247787	3/8" Modular	3/8
247789	1/2" and 3/4" Modular	3/8
247790		1/2
247791		3/4



Modular Air Line Equipment Accessories— Manifold Block

Installs with quick clamps. Ports are threaded pipe to provide manifolding capability for up to three components.

Model No.	Port Size-in.	For Modular Sizes	Dimensions-in. / mm	
			A	B
247794	3/8	1/4" and 3/8"	1.76 / 44.6	1.98 / 50.3
247795	3/4	1/2" and 3/4"	2.27 / 57.8	3.15 / 80



Modular Air Line Equipment Accessories— Tamper Resistant Cover & Seal Wire

Install on the adjusting knob of regulators to help prevent unauthorized adjustment of the pressure setting.

Model No.	For Modular Sizes
247777	1/4" and 3/8"
247778	1/2" and 3/4"



Modular Air Line Equipment Accessories— Wall Mount Bracket

Use to secure Modular Air Line components to a wall, machine panel, or other flat surface.

Model No.	For Modular Sizes
247775	1/4" and 3/8"
247776	1/2" and 3/4"



Air Line Equipment Accessories— Mounting Bracket and Nut-Miniature

Use to secure Miniature Air Line components to a wall, machine panel, or other flat surface.

Model No.	Component
247774	All Regulators and Lubricators



Air Line Equipment Accessories—Pressure Gauges

Available in 1/8" NPT and 1/4" NPT back connection.

Model No.	For Regulator Sizes	Gauge Dia.	Connection	Pressure Range
247843	1/4" and 3/8"	1 1/2"	1/8" NPT	0 to 160 / 0 to 11
247844	1/2", 3/4" and 1"	2"	1/4" NPT	0 to 300 / 0 to 20
247863				



66100

Model 66100 Gauge

Registers pressures up to 200 psi. Dial diameter 2". 1/4" NPT(m) bottom connection. Calibrated both in psi and kg/cm2.



600401

Model 66101 Gauge

Same as 66100 except 1/8" NPT(m) bottom connection.

Model 600401 Gauge

Same as 66100 except with 1/4" NPT center back connection.

Model 66050 Gauge

Same as 66100 except registers to 10,000 psi.

Model 66111

Same as 66100 except registers to 5000 psi.

WARNING

Equipment contained in this catalog can generate very high fluid pressure. Before each use, make sure safety devices are in place and operating properly. Do not alter or modify any part of the equipment as this may cause fire, explosion, property damage, or result in serious bodily injury, including injecting fluid through the skin or splashing in the eyes. To reduce the risk of serious bodily injury or property damage, never exceed the maximum air or fluid working pressure of the **lowest rated system component**. Always read and follow the manual included with the equipment for more detailed information.

FAILURE TO HEED THESE WARNINGS MAY RESULT IN PERSONAL INJURY AND/OR PROPERTY DAMAGE.

WARNING

Pumps with ratios 1:1 to 5:1

2424, 2434, 2435, 2435LN, 2437, 485, 486, 594, 595, 596, 597, 1931, 1936, 1940, 282133, 282396, 282398, 282686, 2532, 2535, 2535LN, 2537, 282990, 284168, 284230, 284231, 284288, 284295, 284840, 284842, 282846, 284852, 284855, 284856, 284862, 284870, 285133, 285168, 285230, 285231, 285295, 285686, 285990, 84829, 84933, 84934

These pumps can develop up to 1000 psi working pressure 200 psi maximum incoming air pressure. Be sure that all system equipment and accessories are rated to withstand the maximum working pressure of this pump. DO NOT exceed the maximum working pressure of the lowest rated component in the system.

WARNING

Pumps with ratios 6:1 to 49:1

930, 931, 934, 935, 936, 1901, 1902, 1903, 1905, 1906, 1909, 1914, 1932, 1933, 1934, 1937, 1938, 1939, 1951, 1952, 1955, 1996

These pumps can develop 7840 psi working pressure at 160 psi maximum incoming air pressure. Be sure that all system equipment and accessories are rated to withstand the maximum working pressure of this pump. DO NOT exceed the maximum working pressure of the lowest rated component in the system.

WARNING

Pumps with ratios 50:1 to 75:1

918, 923, 926, 1418, 1426, 1904, 1910, 1911, 1935, 1941, 82050, 82054, 82716, 82991, 83122, 84683, 84684, 84667, 84668

These pumps can develop 11250 psi working pressure at 150 psi maximum incoming air pressure. Be sure that all system equipment and accessories are rated to withstand the maximum working pressure of this pump. DO NOT exceed the maximum working pressure of the lowest rated component in the system.

IMPORTANT: Accessory item "whip" hoses for dispensing valve are fluid pressure rated 4500 psi. DO NOT exceed 90 psi air pressure to pump when using "whip" hoses.

DO NOT USE ANY WHIP HOSE WITH ANY PUMP RATED OVER 50:1 RATIO.

WARNING

Models 1272, 1273D, 1276, 1292, 1297

Be sure that all accessories are rated to withstand the maximum working pressure of the pump. DO NOT exceed the maximum working pressure of the lowest rated component in the system.

WARNING

Swivel Models 80353, 80924, 81386, 81387, 81388, 81606, 81703, 81723, 81728, 81729, 81974, 82071, 82072, 82073, 82080, 82087, 82249, 82251, 82252, 82399, 82677, 83594, 82822, 83938, 90464

MATERIAL USE: Lincoln swivels are to be used only to transport grease, oil and other lubricants and are designed only for these non-abrasive and non-corrosive purposes. DO NOT use with abrasive and corrosive materials such as sound-deadening materials which may contain limestone and mica particles. Transport of such materials causes rapid premature wear to critical swivel components and can cause failure of swivel. Failure could expose the user to severe bodily injury, permanent disfigurement or death.

INSTALLATION & SERVICE: Tighten all fluid connections securely before using swivel. Never exceed 5000 psi maximum operating pressure. Never alter or modify any part of the swivel. Never attempt to repair or disassemble the swivel while the system is pressurized. Never stop or deflect leaks with hand or body.

MEDICAL ATTENTION: Get medical attention immediately if exposed to high pressure fluids. Tell the attending physician what was injected.

Lubrication Tools and Equipment

Numerical Index



<u>Model No.</u>	<u>Page No.</u>	<u>Model No.</u>	<u>Page No.</u>	<u>Model No.</u>	<u>Page No.</u>
RPM8	25	917-57	12	1426-1	14
RPM10	25	918	14	1901	22
6H00	32	926	14	1903	16
6H32	32	926-1	14	1904	16
6H52	32	939	43	1910	16
6L32	32	940	40	1914	22
6L33	32	946	38	1952	22
6L52	32	950	40	2424	20
6L53	32	957	38	2435	23, 24
6L54	32	957F	38	2435LN	24
6M00	32	960	40	2437	20
6M34	32	967	38	2524	20
6M54	32	977	38	2535	23, 24
224	11	978	38	2537	20
266	13	987	12	3029	5
346P	12	989	12	3034	5
500	18	1013	4	3050	36
527	23, 24	1035	4	3605	27
527A	24	1037	4	3607	28
535	23, 24	1132	3	3608	28
535LN	24	1133	3	3609	28
535-58	24	1134	3	3610	28
549	24	1142	3	3613	29
549-58	24	1145	4	3633	29
613	27	1147	3	3643	29
615	28	1148	3	3644	27
657	13	1151	3	3653	29
658	13	1163	4	3866	38
659	13	1200	2	3867	38
674	24	1201	2	3868	38
689	13	1203	2	3942	38
740	36	1210	2	4100	30
758	37	1215	2	4105	30
758F	37	1218	5	4106	29
769	37	1224	5	4110	30
774	37	1227	2	4159	31
775	37	1230	5	4160C	31
776	37	1236	5	4161	31
780	37	1240	2	4163	31
815	41	1242	2	4262	25
816	11	1244	2	4265	25
840	40	1253	23, 24	4283	25
844	11	1253LN	24	5000	9
845	40	1254	23, 24	5000C	9
846	40	1272	17	5003	9
867	38	1275	17	5003C	9
876	38	1292	17	5010	9
877	38	1293	23, 24	5010C	9
878	38	1296	18	5013	9
881	38	1325	26	5013C	9
883	38	1326	26	5031	9
899	38	1327	26	5031C	9
905	38	1418	14	5033	9
917	12	1426	14	5033C	9

<u>Model No.</u>	<u>Page No.</u>	<u>Model No.</u>	<u>Page No.</u>	<u>Model No.</u>	<u>Page No.</u>
5050	.9	5806	.7	66060	.15
5050C	.9	5812	.5	66100	.51
5175	.9	5818	.5	66101	.51
5175C	.9	5834	.7	66111	.51
5176	.9	5845	.6	66493	.27
5176C	.9	5848	.6	66584	.37
5177	.9	5849	.7	66764	16, 22
5177C	.9	5852	.6	66951	.43
5178	.9	5852-2	.6	66953	.10
5178C	.9	5852-5	.6	67020	.3
5179	.9	5852-54	.6	68410	.38
5179C	.9	5853	.7	68620	.30
5180	.9	5855	.7	70526	.28
5180C	.9	5858	.5	71512	.5
5181	.9	5859	.7	71518	.5
5181C	.9	5861	.5	72024	.35
5182	.9	5862	.41	72024A	.35
5182C	.9	5872	.41	72036	.35
5183	.9	5873	.41	72060	.35
5183C	.9	5874	.41	72120	.35
5184	.8	5875	.41	72240	.35
5185	.8	5876	.41	72360A	.35
5186	.8	5980	.40	72480	.35
5190	.8	5982	.40	72480A	.35
5191	.8	5983	.43	72600	.35
5200	.9	5990	.40	72600A	.35
5200C	.9	10198	.35	73024	.35
5210	.9	10199	.35	73036	.35
5210C	.9	10200	.35	73060	.35
5290	.8	10202	.35	73120	.35
5291	.8	10204	.35	73240	.35
5300	.9	10460	.7	73360	.35
5300C	.9	10461	.10	73480	.35
5318	.9	10522	.35	73600	.35
5350	.9	10536	.7	73900	.35
5350C	.9	10787	.10	74024	.35
5385	.9	11485	.10	74060	.35
5385C	.9	11509	.10	74480	.35
5400	.9	11659	.41	74560	.24
5400C	.9	11660	.41	74600	.35
5410	.9	11661	.41	75024	.35
5410C	.9	11852	.35	75060	.35
5468	.8	12287	.35	75084	.35
5469	.8	12957	.35	75120	.35
5470	.8	13329	.41	75168	.35
5490	.8	13331	.41	75240	.35
5491	.8	20026	.10	75360	.35
5527	.9	20028	.10	75480	.35
5527C	.9	20029	.10	75600	.35
5701	.9	31138	.7	75912CL	.5
5701C	.9	46007	.15	75918CL	.5
5706	.9	62028	.7	75924CL	.5
5706C	.9	62061	.7	76024A	.35
5803	.7	62117	.7	76024B	.35

Lubrication Tools and Equipment

Numerical Index



Model No.	Page No.	Model No.	Page No.	Model No.	Page No.
76120B	.35	82460	.27	84933	.19, 20
76360B	.35	82614	.18	84934	.19, 20
76480A	.33	82716	.12	84935	.21
76480B	.33	82730	.16, 22	84940	.21
76600A	.35	82757	.24	84941	.21
76600B	.35	82760	.3	84945	.21
76900B	.35	82773	.22	84946	.21
78024	.33	82784	.7	84950	.25
78600	.33	82786	.28	85001	.33
79060	.17	82790	.22	85002	.33
80133	.18	82906	.37	85002A	.33
80202	.15	82932	.37	85003	.33
80423	.43	83132	.22	85003-30	.33
80599	.24	83271	.16	85004	.33
80895	.24	83278	.7	85004-50	.33
80924	.17	83366	.15	85004-50B	.33
80933	.7	83369	.16	85005	.33
80999	.24	83386	.28	85006-30B	.33
81168	.17	83398	.16	85008-50A	.33
81386	.36	83447	.14	85009-50	.33
81387	.36	83463	.33	85010-50	.33
81412	.16	83463-30	.33	85011	.33
81458	.7	83464	.33	85021	.36
81523	.15	83464-50	.33	85232	.33
81538	.16	83513	.12	85255	.30
81606	.36	83594	.36	85387-4	.45
81673	.17	83938	.36	85387-6	.45
81703	.36	84122	.34	85387-8	.45
81723	.36	84191	.24	85387-12	.47
81725	.5	84192	.24	85387-16	.47
81726	.5	84257	.34	85388-4	.45
81728	.36	84275	.34	85388-6	.45
81729	.36	84335	.22	85388-8	.45
81768	.17	84347	.34	85388-12	.47
81795	.5	84377	.24	85389-4	.46
81974	.36	84432	.34	85389-6	.46
81980	.7	84538	.21	85389-8	.46
82050	.12	84606	.43	85389-12	.47
82054	.14	84667	.14	85389-16	.47
82070	.37	84668	.14	85515	.34
82071	.36	84672	.34	85516	.34
82072	.36	84673	.34	85517	.34
82073	.36	84700	.30	85627	.26
82080	.36	84714	.27	85632	.26
82087	.36	84775	.15	85672	.48
82157	.36	84780	.15	85673	.49
82158	.36	84790	.28	85674	.49
82206	.33	84799	.39	85716	.21
82230	.26	84815	.30	85755	.21
82251	.36	84816	.30	85765	.21
82252	.36	84817	.30	85799	.39
82258	.39	84824	.30	85935	.21
82399	.36	84826	.22	85949	.21
82439	.21	84829	.26	90464	.39

Lubrication Tools and Equipment

Numerical Index



<u>Model No.</u>	<u>Page No.</u>	<u>Model No.</u>	<u>Page No.</u>
90656	.12	282716	.13
90776	.10	284168	.20
91108	.3	285133	.20
91197	.28	285168	.20
91241	.39	285231	.20
91392	.39	600401	.51
91393	.18	602003	.48
91499	.12	602004	.44
91695	.17	602005	.44
92572	.30	602006	.44
93547	.39	602007	.44
93548	.39	602008	.44
102697	.11	602009	.44
102891	.11	602012	.46
102929	.11	602013	.46
103307E	.10	602016	.46
103308E	.10	602103	.48
103309E	.10	602104	.44
237105	.29	602106	.44
241408	.29	602108	.44
241409	.29	602109	.44
241584	.19	602112	.46
242503	.37	602113	.46
242911	.39	602116	.46
247770	.49	602117	.46
247771	.49	602134	.45
247772	.49	602136	.45
247774	.51	602138	.45
247775	.51	602203	.48
247776	.51	602204	.44
247777	.51	602206	.44
247778	.51	602208	.44
247782	.49	602212	.47
247783	.49	602216	.47
247784	.50	630104	.42
247785	.50	630204	.42
247787	.50	632004	.42
247789	.50	640104	.42
247790	.50	640106	.42
247791	.50	640204	.42
247792	.50	640206	.42
247793	.50	642006	.42
247794	.50	650108	.42
247795	.50	650208	.42
247843	.51	652008	.42
247844	.51	1230120	.35
247863	.51		
260379	.39		
260380	.39		
260381	.39		
282050	.13		
282133	.20		
282396	.19		
282398	.19		

Lubricating Tools & Accessories Display Centers



Purchase Lincoln's best selling lubrication products. . .
and we give you the merchandiser!



Model 218
Lincoln 2-Sided
Merchandiser
Display
24" x 72"



Model 219
Lincoln/Guardian
2-Sided Combo
Merchandiser
Display, 24" x 72"



Model 221 Lincoln/Guardian
4' Merchandiser Display
Gondola not included



Model 212
Lincoln Mini
Merchandiser
24" x 32"



Model 214
Guardian Mini
Merchandiser
24" x 32"

MODEL	Description	212 Lincoln Mini	213 Combo Mini	214 Guardian Mini	218 2-sided Lincoln	219 2-sided Combo	220 4' Gondola Lincoln	221 4' Gondola Combo
1133	GUN, GREASE PISTOL	1	1		2	1	2	1
1142	GUN, LEVER	1	1		2	2	2	2
1132	GUN, GREASE PISTOL				1		1	
1147	GUN, LEVER				1		1	
1148	GUN, LEVER DELUXE	1			1	1	1	1
1163	GUN, AUTOMATIC AIR OPERATED				1	1	1	1
224	BEARING PACKER				1		1	
5184	FTG, MINI METRIC ASST				1		1	
5185	FTG, METRIC ASST				1		1	
5190	FTG, LUBE STR 1/8MPT QTY-10	1			1	1	1	1
5191	FTG, LUBE STR 1/4-28 QTY-10				1		1	
5290	FTG, LUBE 45° 1/8MPT QTY-10				1	1	1	1
5291	FTG, LUBE 45° 1/4-28 QTY-10				1		1	
5468	FTG, LUBE ASSORTMENT	1			1		1	
5470	FTG, LUBE ASSORTMENT				1	1	1	1
5490	FTG, LUBE 90° 1/8MPT QTY-10				1	1	1	1
5491	FTG, LUBE 90° 1/4-28 QTY-10				1		1	
5803	NEEDLE ASSY	1	1		1	1	1	1
5812	HOSE, WHIP W/SPR				2	1	2	1
5818	HOSE, WHIP W/SPR	1	2		2	1	2	1
5845	COUPLER, HYD ASSY	1	1		1	1	1	1
5848	COUPLER, HYD SWIVEL ASSY	1			1	1	1	1
5852	COUPLER, MIDGET HYD	1	1		1	1	1	1
5852-2	COUPLER, MIDGET HYD, 2 PKG				1		1	
5855	ADPTR, HYD ASSY				1	1	1	1
5859	ADPTR, HYD ASSY				1	1	1	1
615	GUN, SUCTION	1			1	1	1	1
62028	NOZZLE, EXTENSION				1		1	
66953	TOOL, EASY OUT				1		1	
71512	HOSE, WHIP 12"				1		1	
71518	HOSE, WHIP 18"				1		1	
740	VALVE, CONTROL ASSY				1	1	1	1
81387	SWIVEL, UNIVERS				1	1	1	1
82760	GREASE GUN HOLDER CLAMP				1		1	
82784	NEEDLE NOZZLE ASSY	1			1	1	1	1
83594	SWIVEL, UNIVERS				1	1	1	1
90776	TOOL, EASY OUT				1		1	
91108	FILLER NIPPLE	1	1		1	1	1	1
G100	GUN, GREASE STD LVR ACTI		1	1		1		1
G102	GREASE GUN					2		2
G110	GUN, GREASE, MINI PISTOL			1		2		2
G112	GUN, GREASE, HD PISTOL		1	1		1		1
G113	GUN, PISTOL GREASE					1		1
G150	GUN, SUCTION					1		1
G160	HOLDER, GREASE GUN			1		1		1
G212	HOSE, 12"-1/8" NPT			2		1		1
G212S	HOSE, 12"-1/8" NPT, W/SPRING					1		1
G218	HOSE, 18"-1/8" NPT			2		1		1
G218S	GREASE HOSE W/SPRING 18"					1		1
G300	COUPLER, STD		1	1		1		1
G310	COUPLER, HD			1		1		1
G321	COUPLER, SWIVEL, 360 DEG			1		1		1
G600	FITTINGS, DOMESTIC MINI		1	1		1		1
G601	FITTINGS, METRIC MINI		1	1		1		1
G800	GREASE, TUBE LITHIUM 2 PK			1				
G901	ADAPTER, 4" NEEDLE NOZZL		1	1		1		1
G904	TOOL, GREASE 4-WAY SM			1		1		1
G905	TOOL, GREASE 4-WAY LG			1		1		1
G907	FITTING, GREASE GUN LOADER					1		1

A Complete Line of Lubrication Solutions and Industrial Pumping Products



At every construction site, automobile repair shop and industrial plant, maintenance and automotive service professionals need high-quality lubrication equipment and pumping products.

Lincoln offers everything you need for lubrication. Our general-purpose and heavy-duty pumps, hose reels, meters and controls, used fluid systems and hand-held lubrication products are the best in the industry.



Lincoln Industrial Corp.
One Lincoln Way
St. Louis, MO 63120-1578

Phone 314-679-4200
Fax 314-679-4359
www.lincolnindustrial.com

Form 442940 (11/02)
© Copyright 2002
Printed in U.S.A.